

Date tehnice pentru produs: DTWA166045

# Dulap de perete DTW, 16U H=824 x W=600 x D=450, 19"

ATENȚIE !!! - expedierea acestor produse prin curier se face doar pe răspunderea clientului, există riscul deteriorării sale în timpul transportului.



## SCHRACK-Info

Mainly used in offices and office-like environments, such as flats, single-family homes, etc. Suitable as a central distributor in small to medium-sized network installations, but also for use as a floor distributor (sub-distributor) in the horizontal area of structured cabling. The removable side panels allow convenient access to the installed components, even afterwards. For active cooling of the built-in components, optional DTLT fan units with one or two fans can be mounted in the roof.

**One-man installation:** A special feature of the DTWA enclosure is the convenient and quick one-man installation.

In the first step, the rear panel is removed from the enclosure and only this panel is fixed to the wall. Afterwards, the enclosure is only hung into the back wall and fixed. These operations can easily be carried out by a single fitter on the building site.

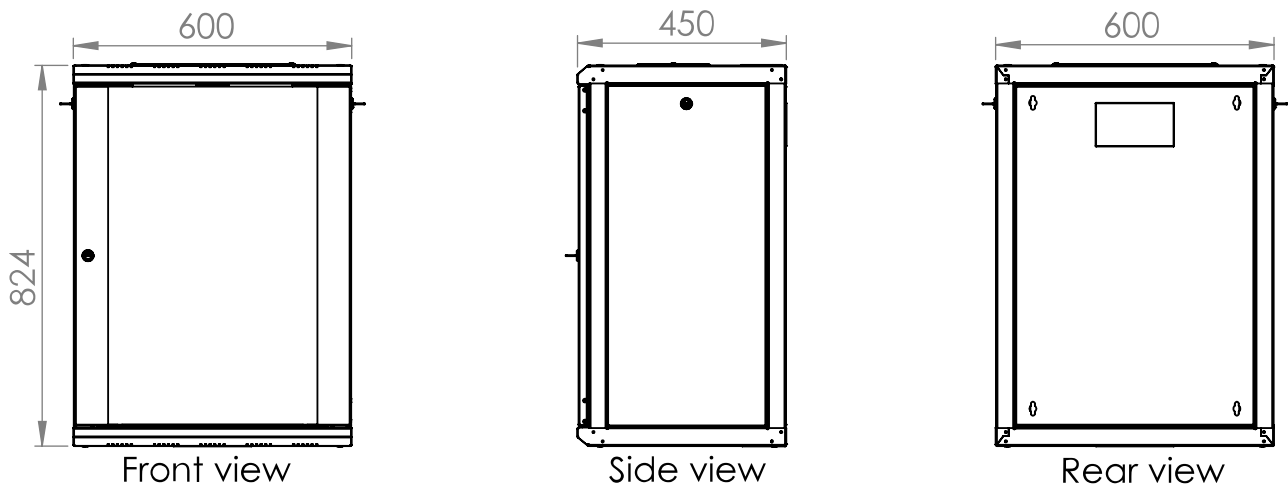
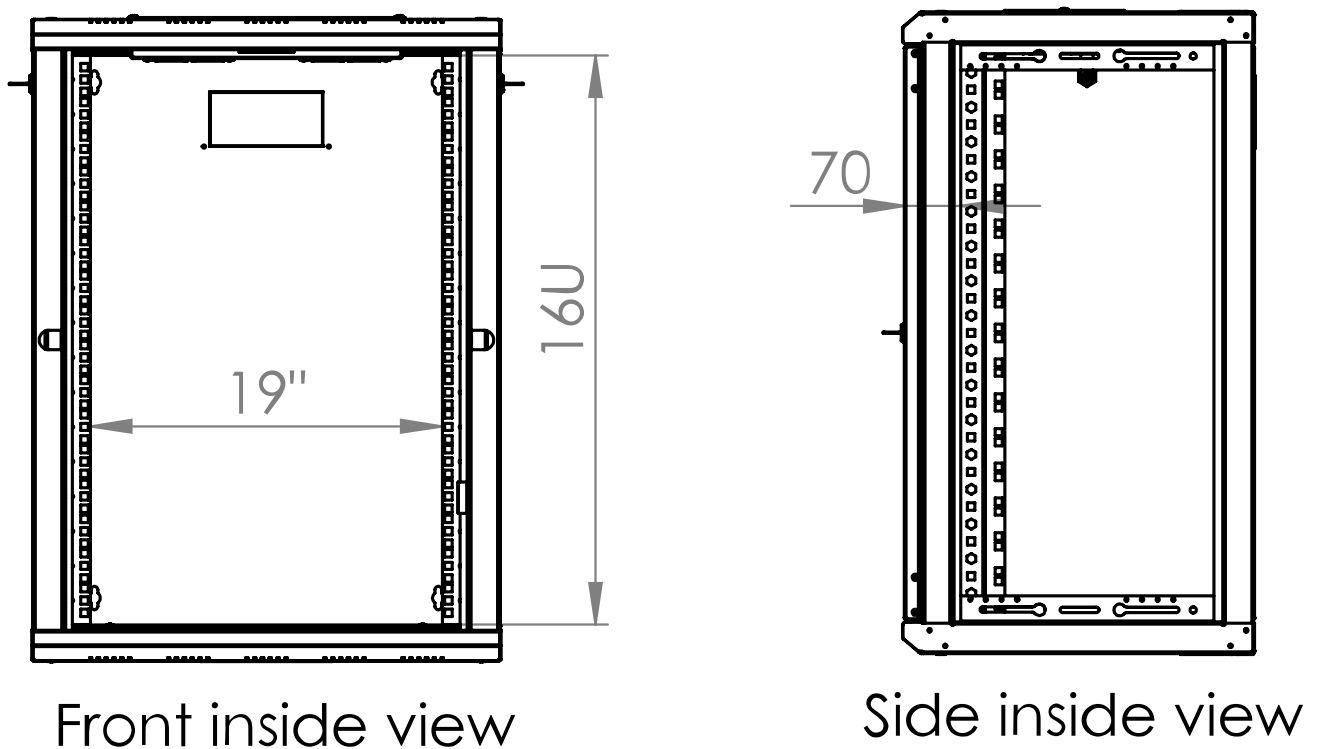
- **Material:** Powder-coated steel sheet housing
- **Material thickness:**
  - Top and bottom chassis: 1.2mm
  - Corner profile: 1.2mm
  - Rails: 1.5mm
  - Front door glass: 4.0mm
  - Rear panel: 1.5mm
  - Side panel: 0.8mm
- **Colour:**
  - RAL7035 (light grey)
  - Corner profiles and strips: RAL5005 (signal blue)

- **Heights:** 7, 9, 12, 16 and 20U
- **Maximum load:** with even distribution: 100kg
- **Degree of protection:** IP20
- **Doors:** Glass door of safety glass 4mm including lock and 2 keys. Door hinged on the right. Conversion to left hinged possible. Opening angle of the door: approx. 200°.
- **Side panels:** removable and lockable
- **Rails:** 19" rails (2 pieces) in the front of the cabinet, galvanised, depth-adjustable, U marking present. A second pair of 19" DTWPROFxx rails for rear mounting is available as an option. This is required for 4-point mounting of heavy installations.
- **Cable entry options:** in roof, floor and rear wall.
  - The floor and rear panel are provided with a plastic blank cover.
  - Roof is equipped with a sliding cable entry with rubber seal.
- **Cooling:**
  - Passive cooling through ventilation slots and heat exchange with the outside area.
  - Active cooling by optional DTLT fans, which are easily and quickly inserted into the roof from the outside. This can also be easily done out afterwards.
- **Earthing:** earthing set is included
- **Accessories:** Numerous accessories available (shelves, PDUs, cable management, blank panels, fan units, etc.)
- **Delivery:** Enclosure is completely assembled and delivered with assembly material

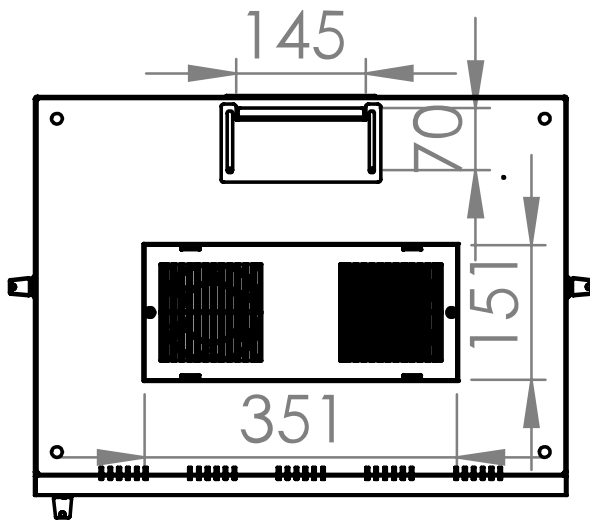


## Fișe tehnice

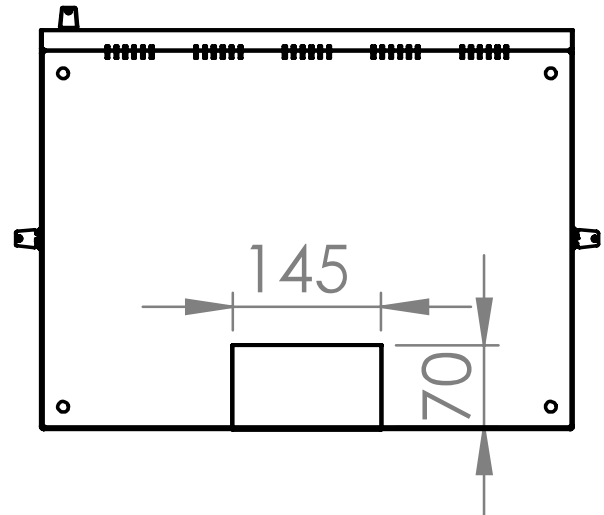
Lățime netă (mm)	600,00
Înălțime (mm)	824,00
Adâncime netă (mm)	450,00
Masă netă (kg.)	26,20
COD EAN	9004840868807
Temperatura minimă a mediului ambiant (°C)	5
Temperatura maximă a mediului ambiant (°C)	40
UV	16
Culoare	RAL 7035 / RAL 5005 (light grey / blue)
grad de protecție	IP20
Încărcare maximă (kg.)	100
Serie	S-RACK

**Desen dimensional: Dulap de perete DTW, 16U H=824 x W=600 x D=450, 19"****Desen dimensional: Dulap de perete DTW, 16U H=824 x W=600 x D=450, 19"**

**Desen dimensional: Dulap de perete DTW, 16U H=824 x W=600 x D=450, 19"**

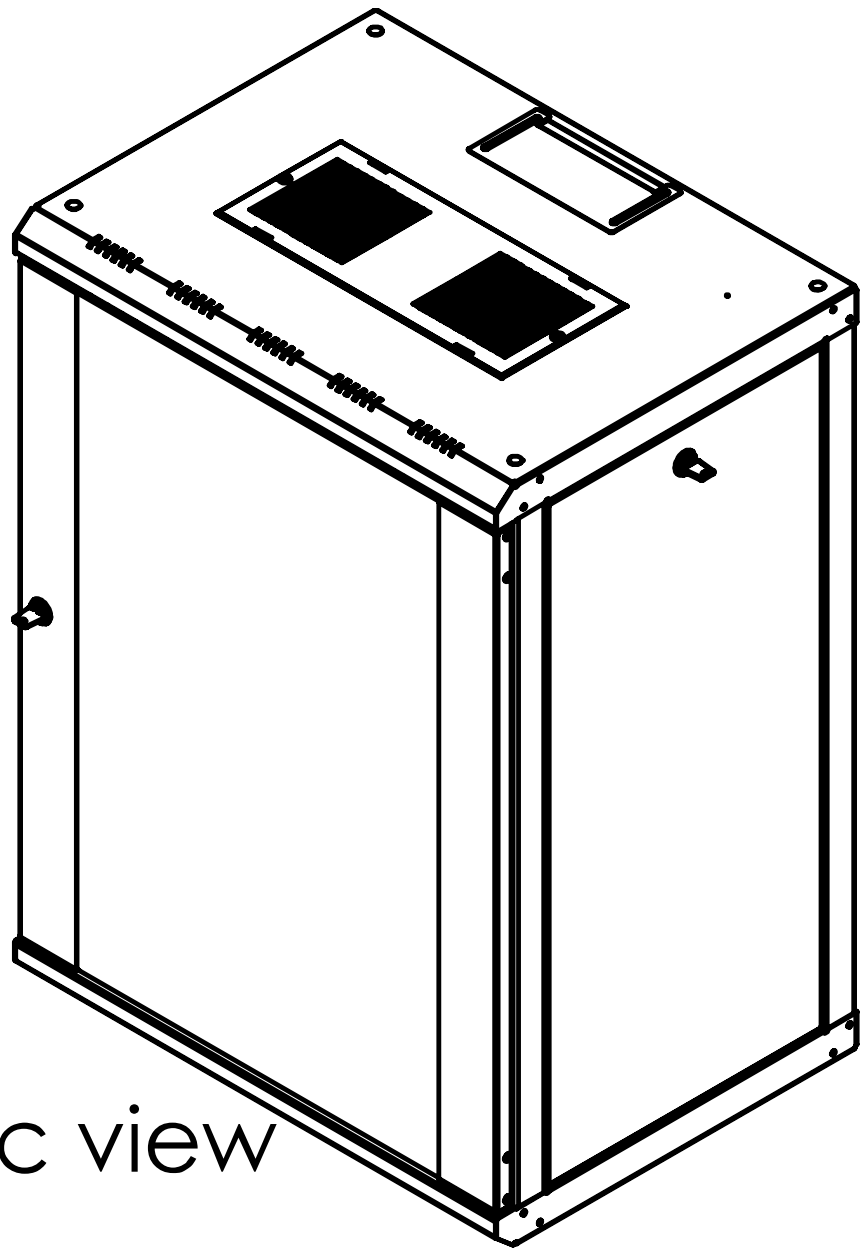


Top view



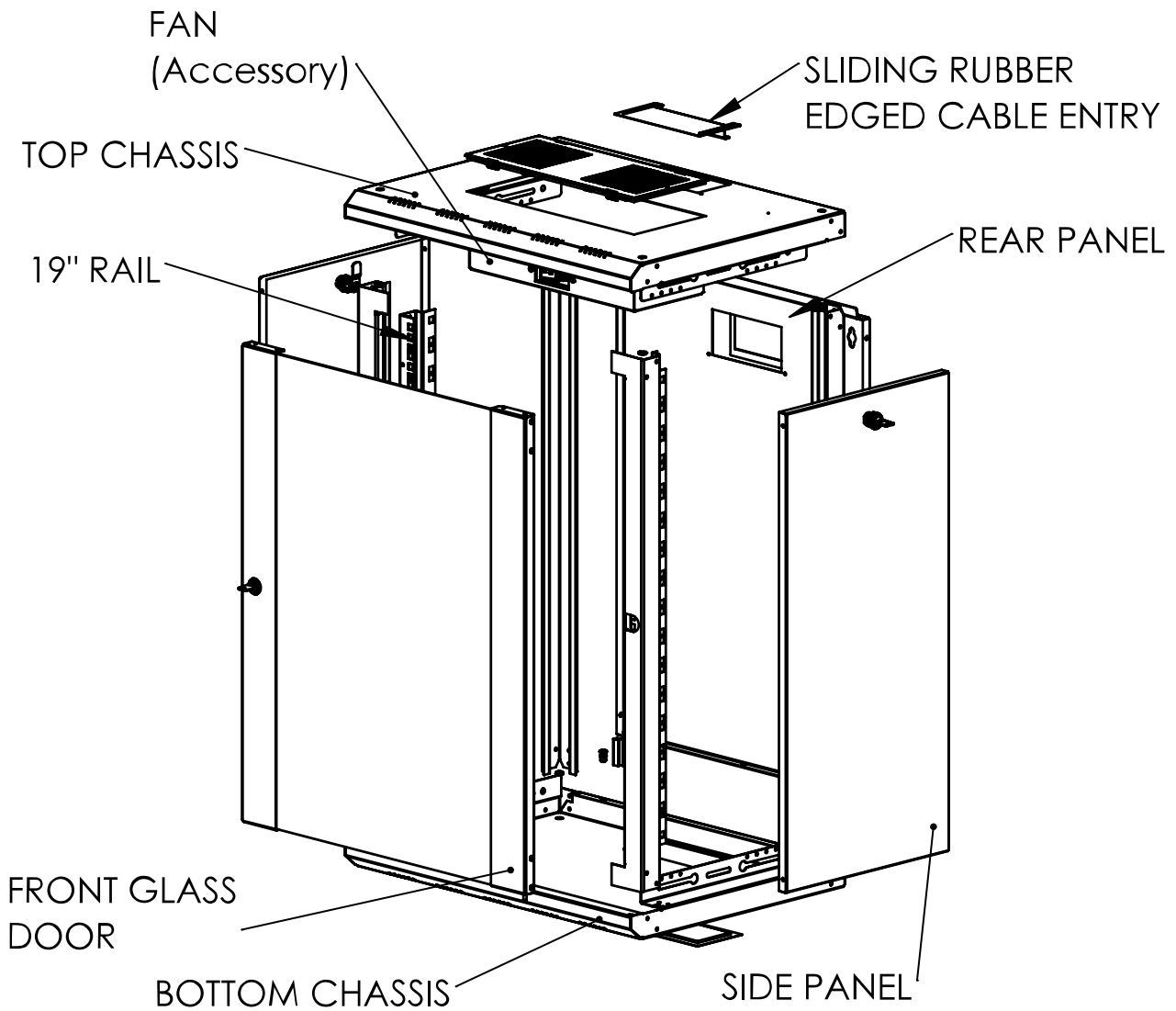
Bottom view

Desen dimensional: Dulap de perete DTW, 16U H=824 x W=600 x D=450, 19"



Isometric view

**Desen dimensional: Dulap de perete DTW, 16U H=824 x W=600 x D=450, 19"**



Exploded view

## Tabel articole

Descriere	Cod comandă
Dulap de perete DTW, 16U H=824 x W=600 x D=450, 19"	
ATENȚIE !!! - expedierea acestor produse prin curier se face doar pe răspunderea clientului, există riscul deteriorării sale în timpul transportului.	DTWA166045
<b>Accesorii opționale</b>	
Unitate de tavan cu 2 ventilatoare, DT/DTW, termostat analog gri deschis, instalare din exterior	DTLTR02A
Unitate de tavan cu 2 ventilatoare, DT/DTW, comutator ON/OFF gri deschis, instalare din exterior	DTLTR02S
Unitate de tavan cu 1 ventilator, DT/DTW, termostat analogic gri deschis, instalare din exterior	DTLTR01A
Unitate de tavan cu 1 ventilator, DT/DTW, comutator ON/OFF gri deschis, instalare din exterior	DTLTR01S
Set montanji 19", 16U pentru dulapuri DTWA 1 set=2buc	DTWPROF16
Tavă fixă, 1U, sarcină 30 Kg, D=300mm, fixare în 2 puncte montaj 2 puncte	DTFT1300
Patchpanel pt. 24 module TOOLLESS LINE, 1UH, 19", RAL7035	HSERO240GS
Organizator 19" 1U, 5 inele metalice, RAL7035	DTBC105R
Set fixare profil 19" (20buc. Șurub+piuliță+șaiabă)	DTSRA020
Ușă metal perf. pentru DTWA 16U, W=600, RAL7035 incl. Balamale si suruburi	DTWART1661
Switch 24xRJ45 10/100/1000, silențios, f.vent., alim.intern Carcasă metalică, 19"	QLGSW2457
PDU 19", 9xSchuko, profil ALU 1U, cablu conexiune 2m, RAL7035	IU070114
PDU 19", 7xSchuko+prot supraț, prof PVC 1,25U, cabl 2m, RAL7035	IU070113
PDU 9x Schuko, 19", 1U, cablu 2m, comutator on/off negru, ALU ALU Profil	Q7070114-A
PDU 19", 7xSchuko, Comutator, protecție supratensiune, 1U cablu 2m, negru	Q7070113-A