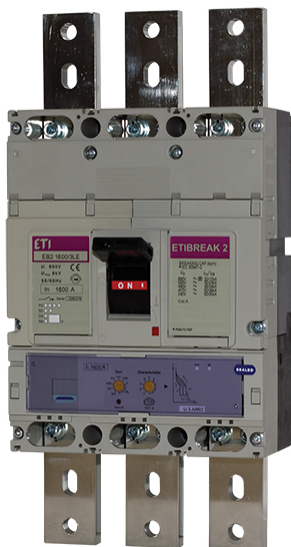


EB2 1600/3E-RC 1600A 3p



Specificatii

Cod ETI	004672280
Descriere	EB2 1600/3E-RC 1600A 3p
Denumire clasă	Înterupător de circuit în car
Curent nominal (A)	1600
Număr de poli	3
Grup Catalog	EB2
Standarde	60947
Tipul conexiunii	rear connection
Tensiunea nominala de rezistenta Uimp (kV)	8
Tensiunea nominala (V AC)	690V
Tensiune nominala de izolare (V)	800
Capacitate nominala de scurtcircuit la 415 V Icu/Ics (kA)	100/75
Tensiune nominala de lucru (V DC)	n.a.
Reglare termica	0,4-1
Ajustare magnetica	adjustable
Reglabil sau fix	ajustabil

Pagina de produse online

Alta documentatie



Model 3D

Manual de instructiuni

Declaratie CE

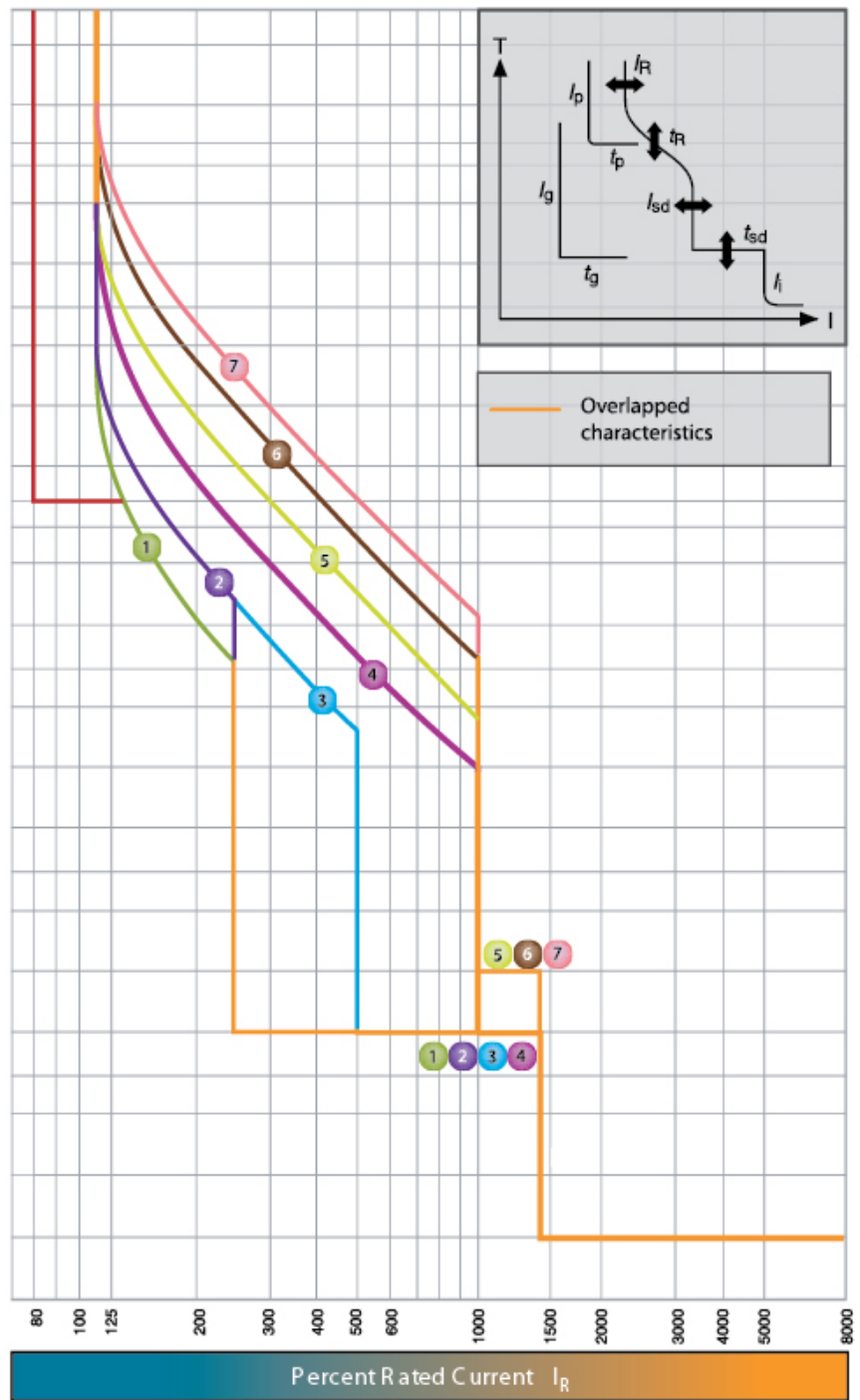
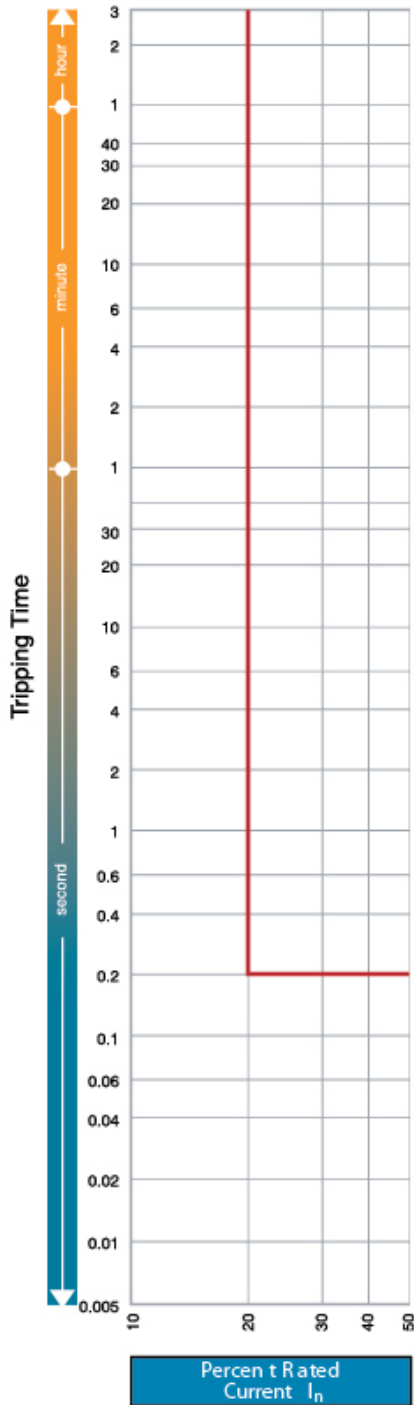
Eplan mușchi

Catalog caracteristici tehnice

ETIM clasificare internationala

Clasificare	EC000228
Denumire clasă	Power circuit-breaker for trafo/generator/installation protection
Rated permanent current I _u	1600A
Rated short-circuit breaking capacity I _{cu} at 400 V, 50 Hz	100/75kA
Overload release current setting	640...1600A
Adjustment range short-term delayed short-circuit release	1600...16000A
Adjustment range undelayed short-circuit release	8960...19200A
Type of electrical connection of main circuit	Rail connection
Device construction	Built-in device fixed built-in technique
With switched-off indicator	1
Number of poles	3
Type of control element	Rocker
Motor drive integrated	
Motor drive optional	1
Degree of protection (IP)	IP20

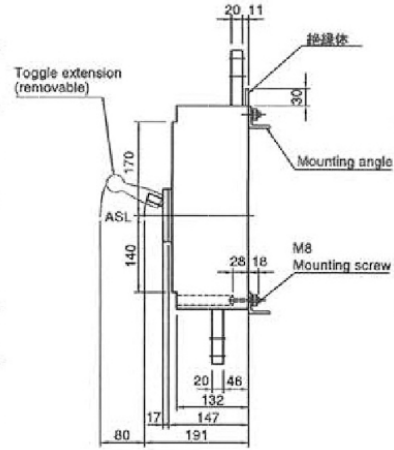
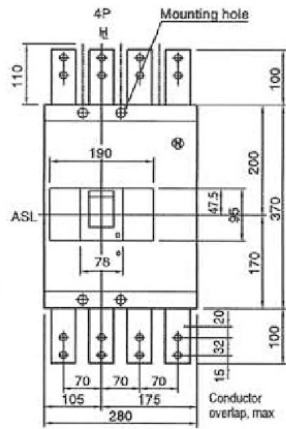
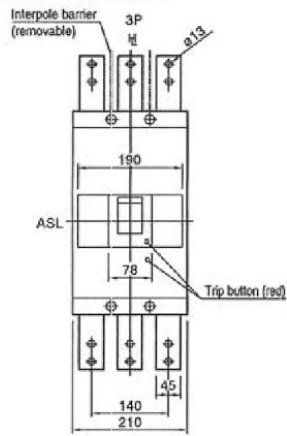
Caracteristici



Desen cotat

EB2 1600

Front-connected



Drilling plan (front view)

