

EB2 800/4LF 800A 4p



Specificatii

Cod ETI	004672205
Descriere	EB2 800/4LF 800A 4p
Denumire clasă	Înterupător de circuit în car
Curent nominal (A)	800
Număr de poli	4
Grup Catalog	EB2
Standarde	60947
Tipul conexiunii	front connection
Tensiunea nominala de rezistenta Uimp (kV)	8
Tensiunea nominala (V AC)	690V
Tensiune nominala de izolare (V)	800
Capacitate nominala de scurtcircuit la 415 V Icu/Ics (kA)	36/36
Tensiune nominala de lucru (V DC)	250V
Reglare termica	fixed
Ajustare magnetica	5-10
Reglabil sau fix	Fix

Pagina de produse online

Alta documentatie



Model 3D

Declaratie CE

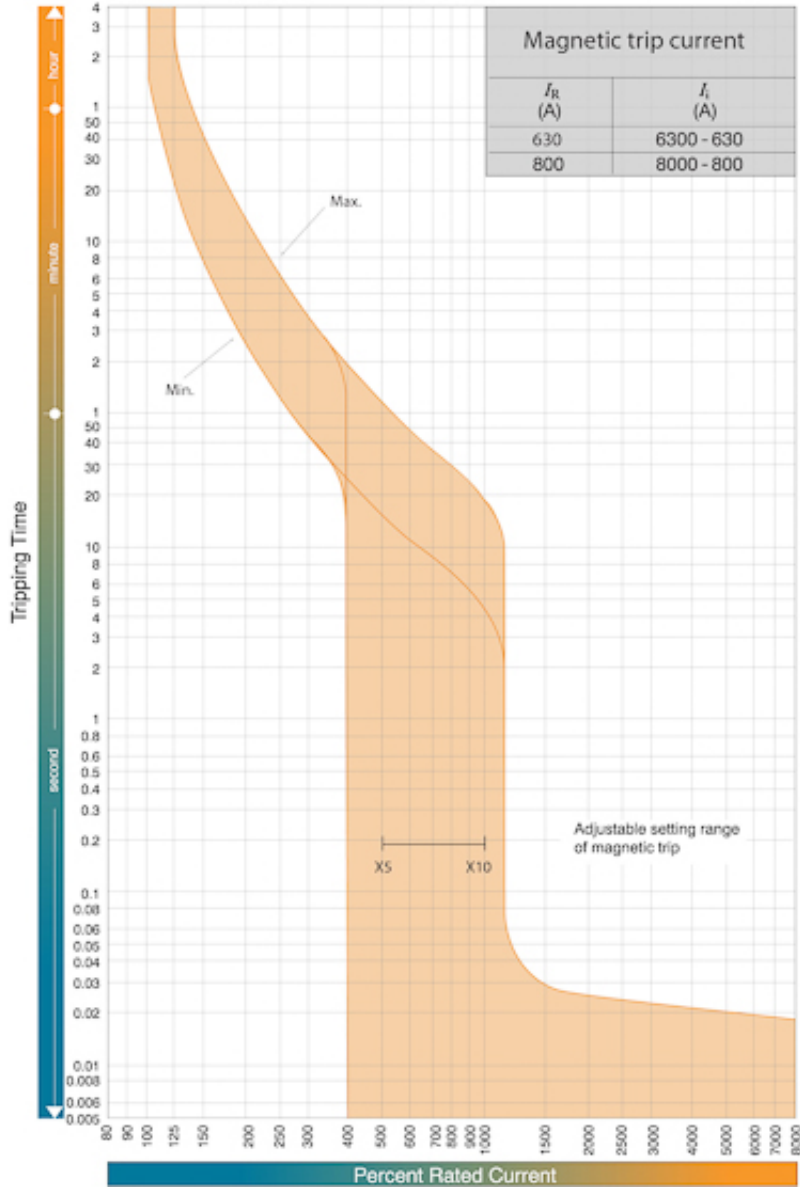
Eplan mușchi

Catalog caracteristici tehnice

ETIM clasificare internationala

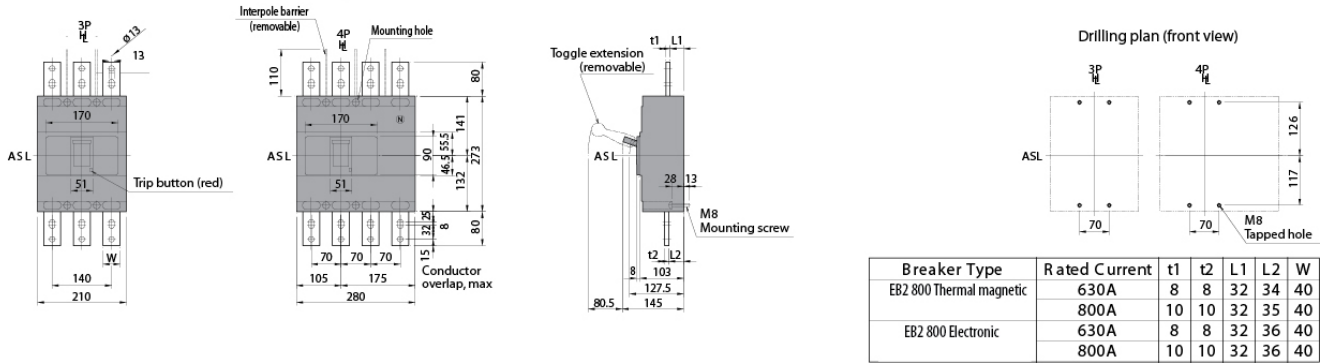
Clasificare	EC000228
Denumire clasă	Power circuit-breaker for trafo/generator/installation protection
Rated permanent current I _u	800A
Rated short-circuit breaking capacity I _{cu} at 400 V, 50 Hz	36/36kA
Overload release current setting	800...800A
Adjustment range undelayed short-circuit release	4000...8000A
Type of electrical connection of main circuit	Screw connection
Device construction	Built-in device fixed built-in technique
With switched-off indicator	1
Number of poles	4
Type of control element	Rocker
Motor drive integrated	
Motor drive optional	1
Degree of protection (IP)	IP20

Caracteristici

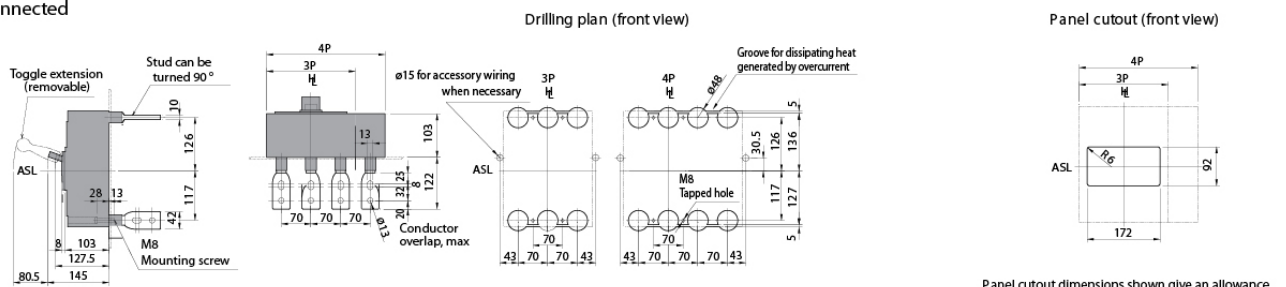


Desen cotat

Front connected with extension bars (optional)



Rear connected



Note: Studs are factory installed in horizontal direction both on the line and load sides.

Panel cutout dimensions shown give an allowance of 1.0mm around the handle escutcheon.