

EB2R 125/4L 20A 4P



Specificatii

Cod ETI	004671507
Descriere	EB2R 125/4L 20A 4P
Denumire clasă	Înterupător de circuit în car
Func ie	MCCB + RCD
Curent nominal (A)	20
Număr de poli	4
Standarde	60947
Tipul conexiunii	front connection
Tensiunea nominala de rezistenta Uimp (kV)	8
Tensiunea nominala (V AC)	525V
Tensiune nominala de izolare (V)	800
Capacitate nominala de scurtcircuit la 415 V Icu/Ics (kA)	25/19
Tensiune nominala de lucru (V DC)	n.a.
Reglare termica	0,63-1
Ajustare magnetica	fixed
Reglabil sau fix	ajustabil

Pagina de produse online [🔗](#)

Alta documentatie



Catalog caracteristici tehnice

Model 3D

Declaratie CE

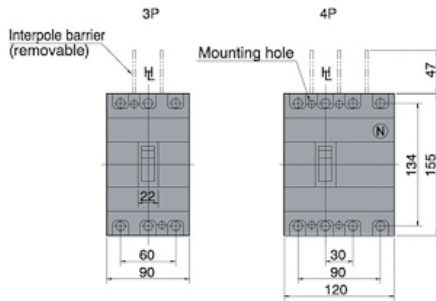
Eplan mușchi

ETIM clasificare internationala

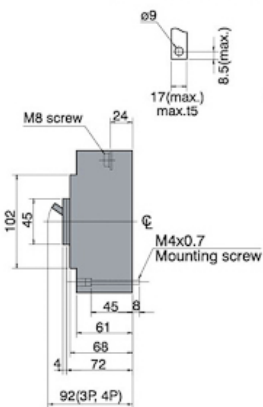
Clasificare	EC000228
Denumire clasă	Power circuit-breaker for trafo/generator/installation protection
Rated permanent current I _u	20A
Rated short-circuit breaking capacity I _{cu} at 400 V, 50 Hz	25/19kA
Overload release current setting	12.6...20A
Adjustment range undelayed short-circuit release	240...240A
Integrated earth fault protection	1
Type of electrical connection of main circuit	Screw connection
Device construction	Built-in device fixed built-in technique
With switched-off indicator	1
Number of poles	4
Type of control element	Rocker lever
Motor drive integrated	
Motor drive optional	1
Degree of protection (IP)	IP20

Desen cotat

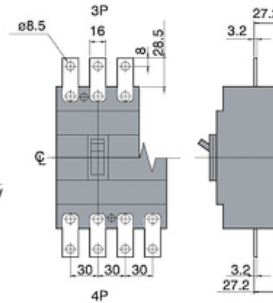
Front connected



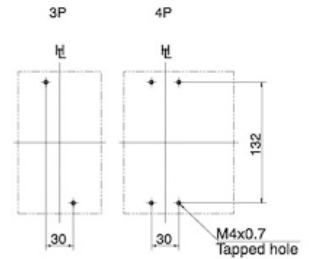
Preparation of conductor



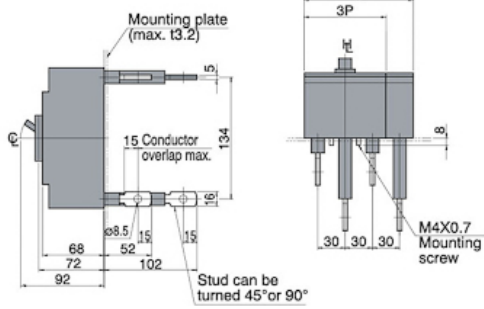
With terminal bars (optional)



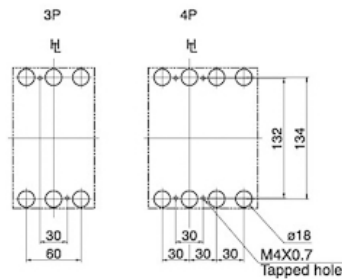
Drilling plan



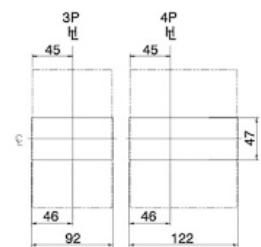
Rear connected



Drilling plan



Panel cutout (Front view)



Panel cutout dimensions shown give an allowance of 1.0mm around the handle escutcheon.