

EB2 250/4E 250A 4p



Specificatii

Cod ETI	004671308
Descriere	EB2 250/4E 250A 4p
Denumire clasă	Înterupător de circuit în car
Curent nominal (A)	250
Număr de poli	4
Grup Catalog	EB2
Standarde	60947
Tipul conexiunii	front connection
Tensiunea nominala de rezistenta Uimp (kV)	8
Tensiunea nominala (V AC)	690V
Tensiune nominala de izolare (V)	800
Capacitate nominala de scurtcircuit la 415 V Icu/Ics (kA)	70/70
Tensiune nominala de lucru (V DC)	n.a.
Reglare termica	0,4-1
Ajustare magnetica	adjustable
Reglabil sau fix	ajustabil

Pagina de produse online

Alta documentatie



Model 3D

Declaratie CE

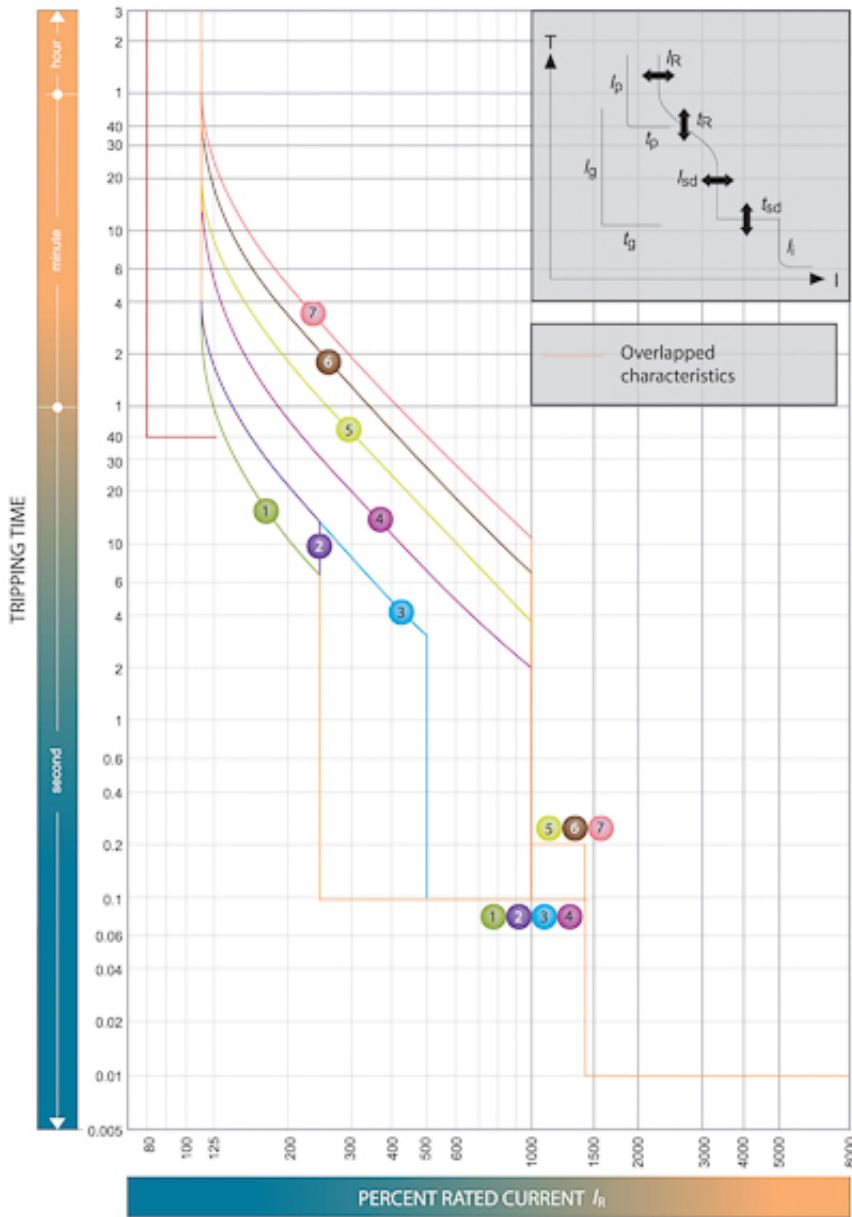
Eplan mușchi

Catalog caracteristici tehnice

ETIM clasificare internationala

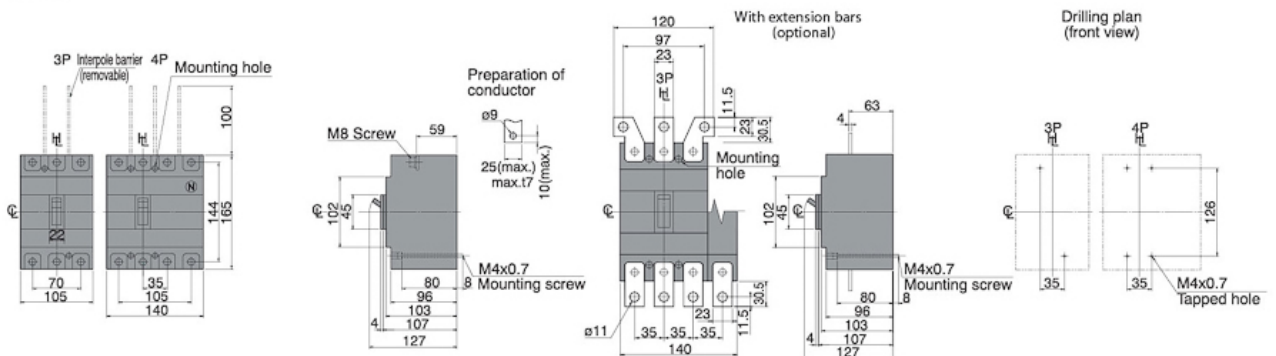
Clasificare	EC000228
Denumire clasă	Power circuit-breaker for trafo/generator/installation protection
Rated permanent current I _u	250A
Rated short-circuit breaking capacity I _{cu} at 400 V, 50 Hz	70/70kA
Overload release current setting	100...250A
Adjustment range short-term delayed short-circuit release	250...2500A
Adjustment range undelayed short-circuit release	1400...3250A
Type of electrical connection of main circuit	Screw connection
Device construction	Built-in device fixed built-in technique
With switched-off indicator	1
Number of poles	4
Type of control element	Rocker lever
Motor drive integrated	
Motor drive optional	1
Degree of protection (IP)	IP20

Caracteristici



Desen cotat

Front connected



Rear connected

