

EB2 250/4E 125A 4p



Specificatii

Cod ETI	004671306
Descriere	EB2 250/4E 125A 4p
Denumire clasă	Înterupător de circuit în car
Curent nominal (A)	125
Număr de poli	4
Grup Catalog	EB2
Standarde	60947
Tipul conexiunii	front connection
Tensiunea nominala de rezistenta Uimp (kV)	8
Tensiunea nominala (V AC)	690V
Tensiune nominala de izolare (V)	800
Capacitate nominala de scurtcircuit la 415 V Icu/Ics (kA)	70/70
Tensiune nominala de lucru (V DC)	n.a.
Reglare termica	0,4-1
Ajustare magnetica	adjustable
Reglabil sau fix	ajustabil

[Pagina de produse online](#) 

Alta documentatie



[Model 3D](#)

[Declaratie CE](#)

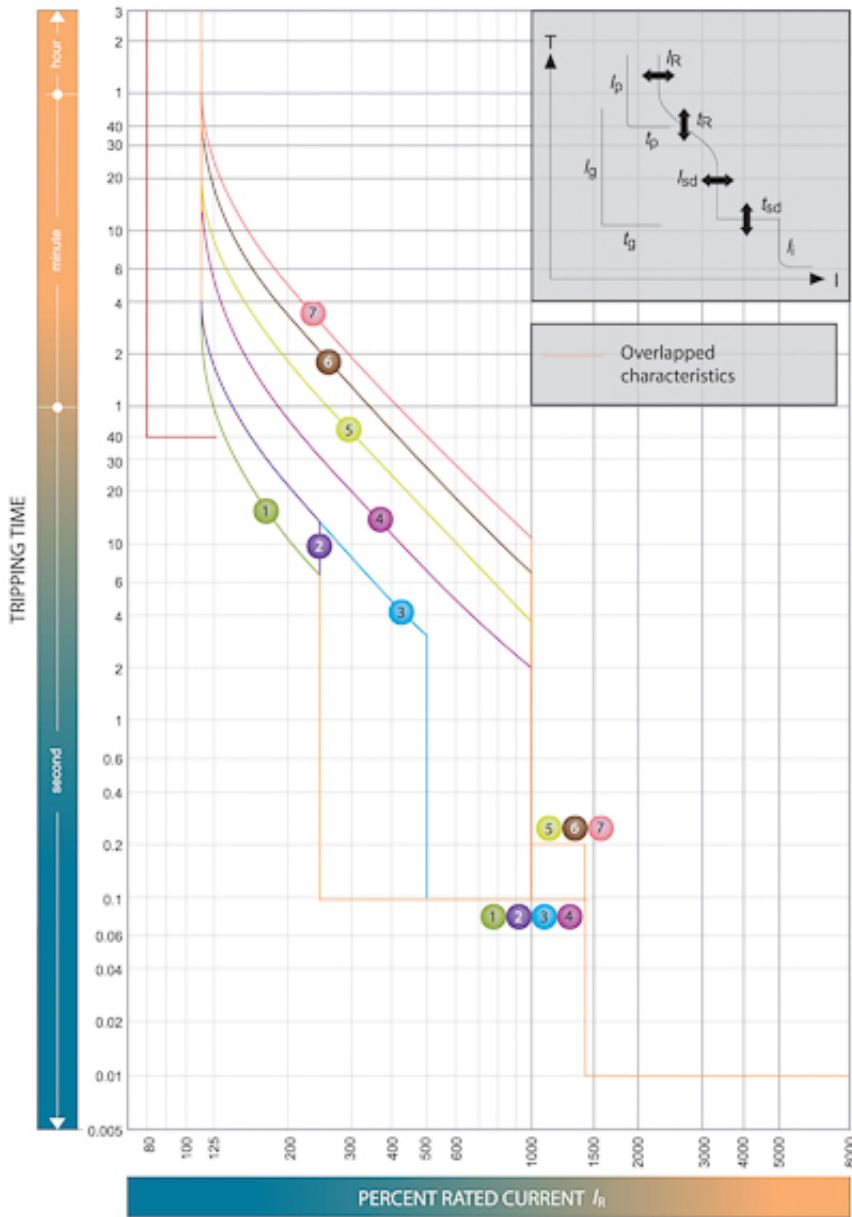
[Eplan mușchi](#)

[Catalog caracteristici tehnice](#)

ETIM clasificare internationala

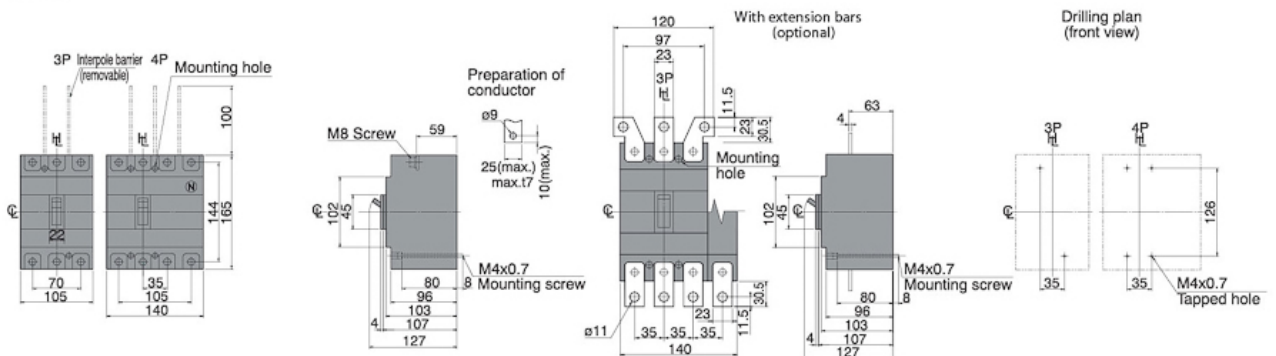
Clasificare	EC000228
Denumire clasă	Power circuit-breaker for trafo/generator/installation protection
Rated permanent current I _u	125A
Rated short-circuit breaking capacity I _{cu} at 400 V, 50 Hz	70/70kA
Overload release current setting	50...125A
Adjustment range short-term delayed short-circuit release	125...1250A
Adjustment range undelayed short-circuit release	700...1750A
Type of electrical connection of main circuit	Screw connection
Device construction	Built-in device fixed built-in technique
With switched-off indicator	1
Number of poles	4
Type of control element	Rocker lever
Motor drive integrated	
Motor drive optional	1
Degree of protection (IP)	IP20

Caracteristici



Desen cotat

Front connected



Rear connected

