

CLBS-CK125



Specificatii

Cod ETI	004661440
Descriere	CLBS-CK125
Denumire clasă	Accesorii
Func ie	Changeover conversion kit (100-125A)
Utilizare cu	CLBS 100-125

Pagina de produse online 

Alta documentatie



Catalog caracteristici tehnice

Model 3D

Manual de instructiuni

Declaratie CE

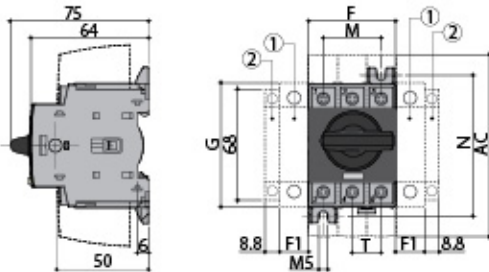
Eplan mușchi

ETIM clasificare internationala

Clasificare	EC002498
Denumire clasă	Accessories for low-voltage switch technology
Type of accessory/spare part	Switching piece

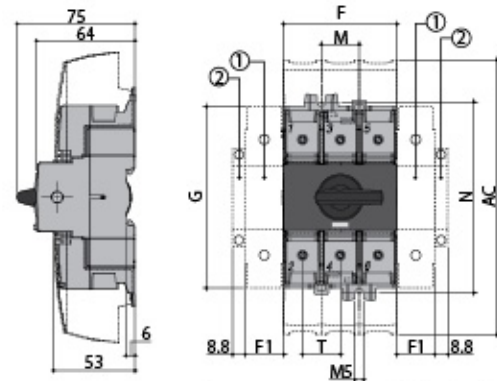
Desen cotat

CLBS 16 - CLBS 80 3P



Rating (A)	Overall dimensions, (mm)				Terminal strouds, (mm) AC	Switch body, (mm)				Switch mounting, (mm)		Connection, (mm) T
	D min	D max	E min	E max		F	F1	G	J	M	N	
16-40	30	235	100	372	110	45	15	68	15	30	75	15
63-80	30	235	100	372	110	52.5	17.5	76	17.5	35	85	17.5

CLBS 100 - CLBS 125 3P



Rating (A)	Overall dimensions, (mm)				Terminal strouds, (mm) AC	Switch body, (mm)				Switch mounting, (mm)		Connection, (mm) T
	D min	D max	E min	E max		F	F1	G	J	M	N	
100-125	30	201	100	372	189	78	26	124.6	13	26	131.4	26