

CLBS-S320



Specificatii

Cod ETI	004661423
Descriere	CLBS-S320
Denumire clasă	Mâner
Func ie	Shaft 320mm for S00/S0 handles
Utilizare cu	CLBS-EH80, CLBS-EH125

[Pagina de produse online](#) 

Alta documentatie



[Catalog caracteristici tehnice](#)

[Model 3D](#)

[Manual de instructiuni](#)

[Declaratie CE](#)

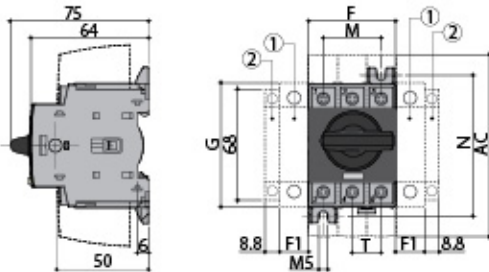
[Eplan mușchi](#)

ETIM clasificare internationala

Clasificare	EC002498
Denumire clasă	Accessories for low-voltage switch technology
Type of accessory/spare part	Switching piece

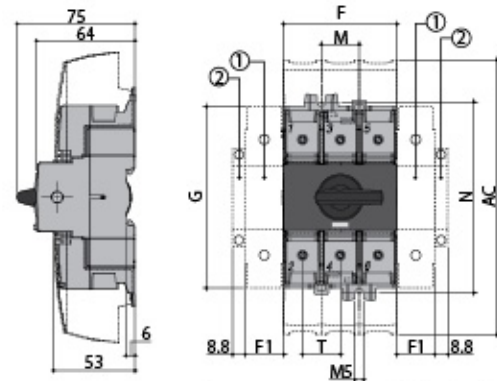
Desen cotat

CLBS 16 - CLBS 80 3P



Rating (A)	Overall dimensions, (mm)				Terminal shrouds, (mm) AC	Switch body, (mm)				Switch mounting, (mm)		Connection, (mm)
	D min	D max	E min	E max		F	F1	G	J	M	N	
16-40	30	235	100	372	110	45	15	68	15	30	75	15
63-80	30	235	100	372	110	52.5	17.5	76	17.5	35	85	17.5

CLBS 100 - CLBS 125 3P



Rating (A)	Overall dimensions, (mm)				Terminal shrouds, (mm) AC	Switch body, (mm)				Switch mounting, (mm)		Connection, (mm)
	D min	D max	E min	E max		F	F1	G	J	M	N	
100-125	30	201	100	372	189	78	26	124.6	13	26	131.4	26