

## CLBS-S200



### Specificatii

Cod ETI	004661422
Descriere	CLBS-S200
Denumire clasă	Mâner
Func ie	Shaft 200mm for S00/S0 handles
Utilizare cu	CLBS-EH80, CLBS-EH125

[Pagina de produse online](#) 

### Alta documentatie



[Catalog caracteristici tehnice](#)

[Model 3D](#)

[Manual de instructiuni](#)

[Declaratie CE](#)

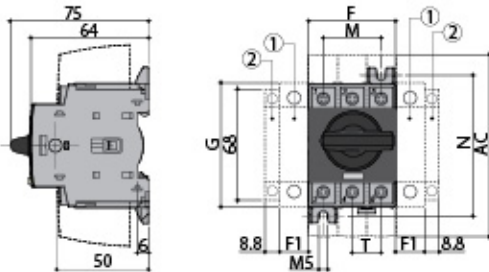
[Eplan mușchi](#)

## ETIM clasificare internationala

Clasificare	EC000916
Denumire clasă	Switch operating shaft
Length	200mm

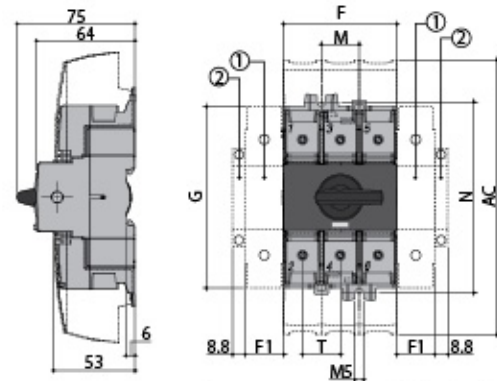
# Desen cotat

## CLBS 16 - CLBS 80 3P



Rating (A)	Overall dimensions, (mm)				Terminal strouds, (mm) AC	Switch body, (mm)				Switch mounting, (mm)		Connection, (mm) T
	D min	D max	E min	E max		F	F1	G	J	M	N	
16-40	30	235	100	372	110	45	15	68	15	30	75	15
63-80	30	235	100	372	110	52.5	17.5	76	17.5	35	85	17.5

## CLBS 100 - CLBS 125 3P



Rating (A)	Overall dimensions, (mm)				Terminal strouds, (mm) AC	Switch body, (mm)				Switch mounting, (mm)		Connection, (mm) T
	D min	D max	E min	E max		F	F1	G	J	M	N	
100-125	30	201	100	372	189	78	26	124.6	13	26	131.4	26