

CLBS 100 3P



Specificatii

| | |
|--------------------------------------|--------------------|
| Cod ETI | 004661405 |
| Descriere | CLBS 100 3P |
| Denumire clasă | Separator |
| Număr de poli | 3 |
| Montare | Montat pe sina DIN |
| Tensiunea maxima de operare (V AC) | 690 |
| Curent nominal AC-21 A/B at 415V (A) | 100 / 100 |
| Tensiune nominala de izolare (V) | 800 |
| Curent termic Ith (A) | 100 |

[Pagina de produse online](#)

Alta documentatie



[Catalog caracteristici tehnice](#)

[Model 3D](#)

[Manual de instructiuni](#)

[Declaratie CE](#)

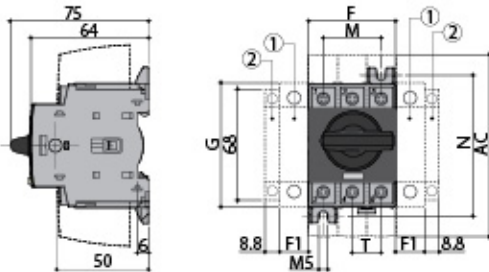
[Eplan mușchi](#)

ETIM clasificare internationala

| | |
|---|---------------------|
| Clasificare | EC000216 |
| Denumire clasă | Switch disconnector |
| Version as main switch | 1 |
| Version as maintenance-/service switch | 1 |
| Version as safety switch | 1 |
| Version as emergency stop installation | 1 |
| Max. rated operation voltage Ue AC | 690V |
| Rated permanent current Iu | 100A |
| Rated operation power at AC-23, 400 V | 45kW |
| Number of poles | 3 |
| Motor drive optional | |
| Motor drive integrated | |
| Voltage release optional | |
| Suitable for floor mounting | 1 |
| Suitable for distribution board installation | 1 |
| Suitable for intermediate mounting | 1 |
| Type of control element | Turn button |
| Type of electrical connection of main circuit | Frame clamp |
| Degree of protection (IP), front side | IP20 |

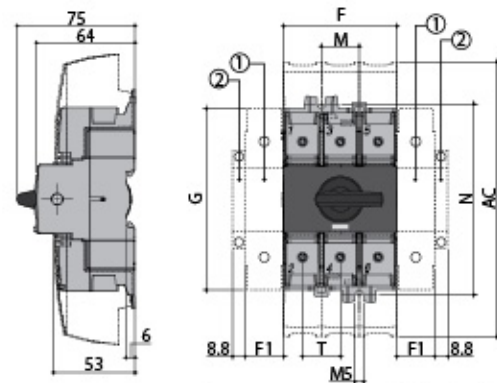
Desen cotat

CLBS 16 - CLBS 80 3P



| Rating | Overall dimensions, (mm) | | | | Terminal strouds, (mm) AC | Switch body, (mm) | | | | Switch mounting, (mm) | | Connection, (mm) |
|--------|--------------------------|-------|-------|-------|---------------------------|-------------------|------|----|------|-----------------------|----|------------------|
| | D min | D max | E min | E max | | F | F1 | G | J | M | N | |
| 16-40 | 30 | 235 | 100 | 372 | 110 | 45 | 15 | 68 | 15 | 30 | 75 | 15 |
| 63-80 | 30 | 235 | 100 | 372 | 110 | 52.5 | 17.5 | 76 | 17.5 | 35 | 85 | 17.5 |

CLBS 100 - CLBS 125 3P



| Rating | Overall dimensions, (mm) | | | | Terminal strouds, (mm) AC | Switch body, (mm) | | | | Switch mounting, (mm) | | Connection, (mm) |
|---------|--------------------------|-------|-------|-------|---------------------------|-------------------|----|-------|----|-----------------------|-------|------------------|
| | D min | D max | E min | E max | | F | F1 | G | J | M | N | |
| 100-125 | 30 | 201 | 100 | 372 | 189 | 78 | 26 | 124.6 | 13 | 26 | 131.4 | 26 |