

CLBS 25 3P



Specificatii

Cod ETI	004661401
Descriere	CLBS 25 3P
Denumire clasă	Separator
Număr de poli	3
Montare	Montat pe sina DIN
Tensiunea maxima de operare (V AC)	690
Curent nominal AC-21 A/B at 415V (A)	25 / 25
Tensiune nominala de izolare (V)	800
Curent termic Ith (A)	25

[Pagina de produse online](#)

Alta documentatie



[Catalog caracteristici tehnice](#)

[Model 3D](#)

[Manual de instructiuni](#)

[Declaratie CE](#)

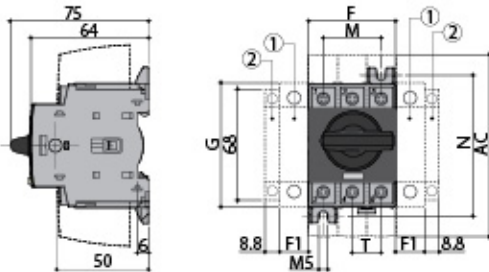
[Eplan mușchi](#)

ETIM clasificare internațională

Clasificare	EC000216
Denumire clasă	Switch disconnector
Version as main switch	1
Version as maintenance-/service switch	1
Version as safety switch	1
Version as emergency stop installation	1
Max. rated operation voltage Ue AC	690V
Rated permanent current Iu	25A
Rated operation power at AC-23, 400 V	11kW
Number of poles	3
Motor drive optional	
Motor drive integrated	
Voltage release optional	
Suitable for floor mounting	1
Suitable for distribution board installation	1
Suitable for intermediate mounting	1
Type of control element	Turn button
Type of electrical connection of main circuit	Frame clamp
Degree of protection (IP), front side	IP20

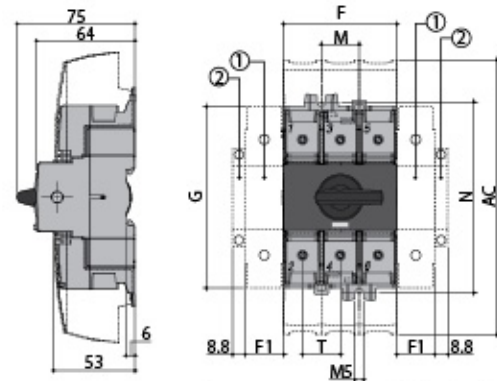
Desen cotat

CLBS 16 - CLBS 80 3P



Rating (A)	Overall dimensions, (mm)				Terminal strouds, (mm) AC	Switch body, (mm)				Switch mounting, (mm)		Connection, (mm) T
	D min	D max	E min	E max		F	F1	G	J	M	N	
16-40	30	235	100	372	110	45	15	68	15	30	75	15
63-80	30	235	100	372	110	52.5	17.5	76	17.5	35	85	17.5

CLBS 100 - CLBS 125 3P



Rating (A)	Overall dimensions, (mm)				Terminal strouds, (mm) AC	Switch body, (mm)				Switch mounting, (mm)		Connection, (mm) T
	D min	D max	E min	E max		F	F1	G	J	M	N	
100-125	30	201	100	372	189	78	26	124.6	13	26	131.4	26