

CEM12.01-400V-50/60Hz



Specificatii

| | |
|--------------------------------|--------------------------|
| Cod ETI | 004643114 |
| Descriere | CEM12.01-400V-50/60Hz |
| Denumire clasă | Contactorul motorului |
| Func ie | Contactor pentru motoare |
| I (AC1) (A) | 25 |
| I (AC3 400V) (A) | 12 |
| P (AC3 kW) (kW) | 5,5 |
| Număr de contacte auxiliare NC | 1 |
| Număr de poli | 3 |
| Număr de contacte auxiliare NO | 0 |
| Tensiunea nominala (V AC) | 690 |
| Tensiunea de control Uc (V AC) | 400 |

Pagina de produse online

Alta documentatie



Catalog caracteristici tehnice

Model 3D

Manual de instructiuni

Declaratie CE

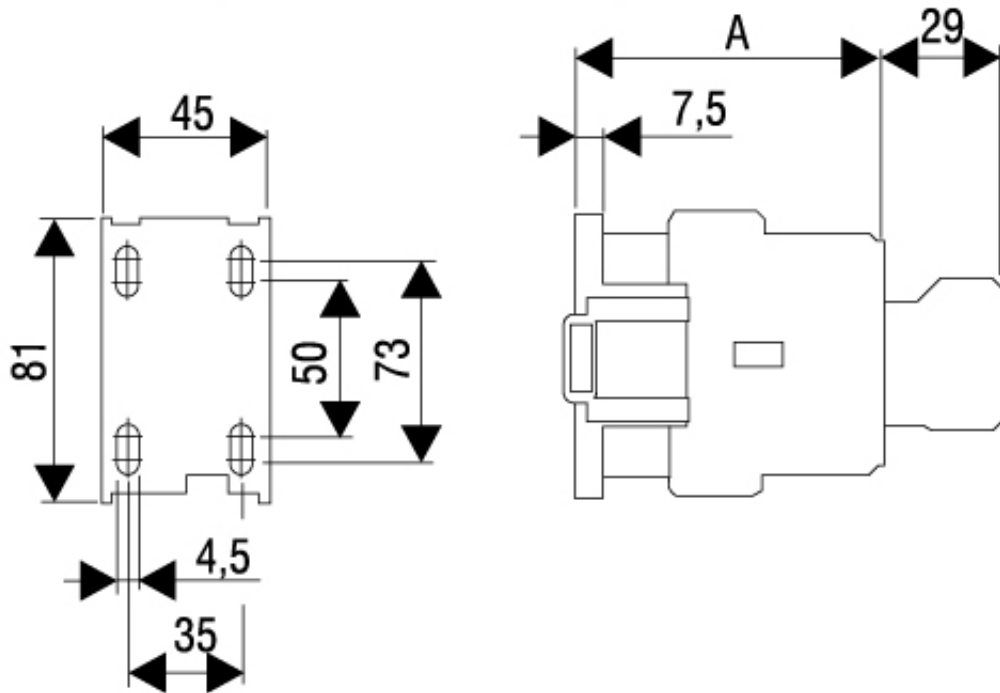
Eplan mușchi

ETIM clasificare internationala

| | |
|---|-------------------------------|
| Clasificare | EC000066 |
| Denumire clasă | Power contactor, AC switching |
| Rated control supply voltage AC 50 Hz | 400...400V |
| Rated control supply voltage AC 60 Hz | 400...400V |
| Rated control supply voltage DC | 400...400V |
| Voltage type for actuating | AC |
| Rated operation current I _e at AC-1, 400 V | 25A |
| Rated operation current I _e at AC-3, 400 V | 12A |
| Rated operation power at AC-3, 400 V | 5,5kW |
| Modular version | |
| Number of auxiliary contacts as normally closed contact | 1 |
| Type of electrical connection of main circuit | Frame clamp |
| Number of normally open contacts as main contact | 3 |

Desen cotat

| | AC | DC |
|-------|------|-------|
| CAEM4 | A=85 | A=115 |
| CEM9 | A=85 | A=115 |
| CEM12 | A=85 | A=115 |
| CEM18 | A=85 | A=115 |
| CEM25 | A=87 | A=117 |



Schema de conexiuni

