

# CEM9.01-400V-50/60Hz



## Specificatii

Cod ETI	004642114
Descriere	CEM9.01-400V-50/60Hz
Denumire clasă	Contactorul motorului
Funcție	Contactor pentru motoare
I (AC1) (A)	25
I (AC3 400V) (A)	9
P (AC3 kW) (kW)	4
Număr de contacte auxiliare NC	1
Număr de poli	3
Număr de contacte auxiliare NO	0
Tensiunea nominală (V AC)	690
Tensiunea de control Uc (V AC)	400

[Pagina de produse online](#)

## Alta documentatie

[Catalog caracteristici tehnice](#)

[Model 3D](#)

[Manual de instructiuni](#)

[Declaratie CE](#)

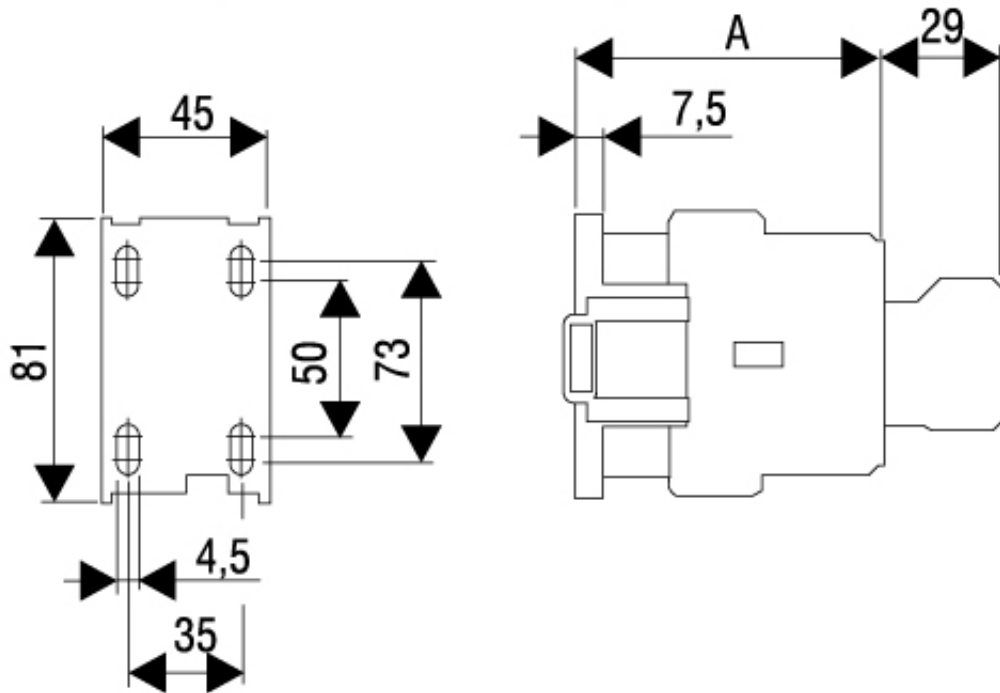
[Eplan mușchi](#)

## ETIM clasificare internationala

Clasificare	EC000066
Denumire clasă	Power contactor, AC switching
Rated control supply voltage AC 50 Hz	400...400V
Rated control supply voltage AC 60 Hz	400...400V
Rated control supply voltage DC	400...400V
Voltage type for actuating	AC
Rated operation current I <sub>e</sub> at AC-1, 400 V	25A
Rated operation current I <sub>e</sub> at AC-3, 400 V	9A
Rated operation power at AC-3, 400 V	4kW
Modular version	
Number of auxiliary contacts as normally closed contact	1
Type of electrical connection of main circuit	Frame clamp
Number of normally open contacts as main contact	3

## Desen cotat

	AC	DC
CAEM4	A=85	A=115
CEM9	A=85	A=115
CEM12	A=85	A=115
CEM18	A=85	A=115
CEM25	A=87	A=117



## Schema de conexiuni

