

ESH 1643



Specificatii

| | |
|-----------------------|--------------------|
| Cod ETI | 004482007 |
| Descriere | ESH 1643 |
| Denumire clasă | CEE priză |
| Tensiunea nominală(V) | 400 |
| Număr de poli | 3+PE |
| Grad de protecție IP | IP67 |
| Tip priză | Prize de conexiune |

[Pagina de produse online](#) 

Alta documentatie



[Catalog caracteristici tehnice](#)

[Declaratie CE](#)

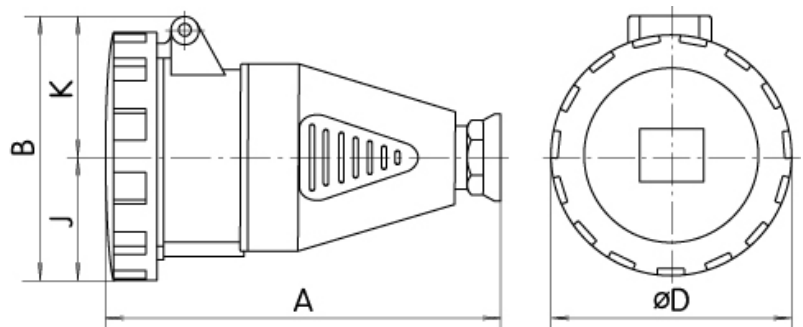
[Eplan mușchi](#)

ETIM clasificare internationala

| | |
|---------------------------------|----------------------|
| Clasificare | EC001320 |
| Denumire clasă | CEE coupling |
| IEC-amperage | 16A |
| Number of poles | 3 |
| Voltage according to EN 60309-2 | 400 V (50+60 Hz) red |
| Clock hour position | 6h |
| Identification colour | Red |
| Degree of protection (IP) | IP67 |
| Connection system | Screwed terminal |
| Insert direction | Straight |
| Cable entry | Gland nut |
| Material | Plastic |

Desen cotat

| | A | B | $\varnothing D$ | J | K | Pg |
|----------|-----|-------|-----------------|------|------|----|
| ESH 1632 | 136 | 78,5 | 70 | 35 | 43,5 | 16 |
| ESH 1643 | 142 | 85,5 | 78 | 39 | 46,5 | 16 |
| ESH 1653 | 145 | 92,5 | 87 | 43,5 | 49 | 16 |
| ESH 3232 | 166 | 101,5 | 93 | 46,5 | 55 | 21 |
| ESH 3243 | 166 | 101,5 | 93 | 46,5 | 55 | 21 |
| ESH 3253 | 168 | 108 | 100 | 50 | 58 | 21 |
| ESH 6343 | 224 | - | 113 | 196 | - | 29 |



| | A | B | $\varnothing K$ |
|-----------|-----|-----|-----------------|
| ESH 12543 | 269 | 114 | 22,5-50 |
| ESH 12553 | 269 | 114 | 22,5-50 |

