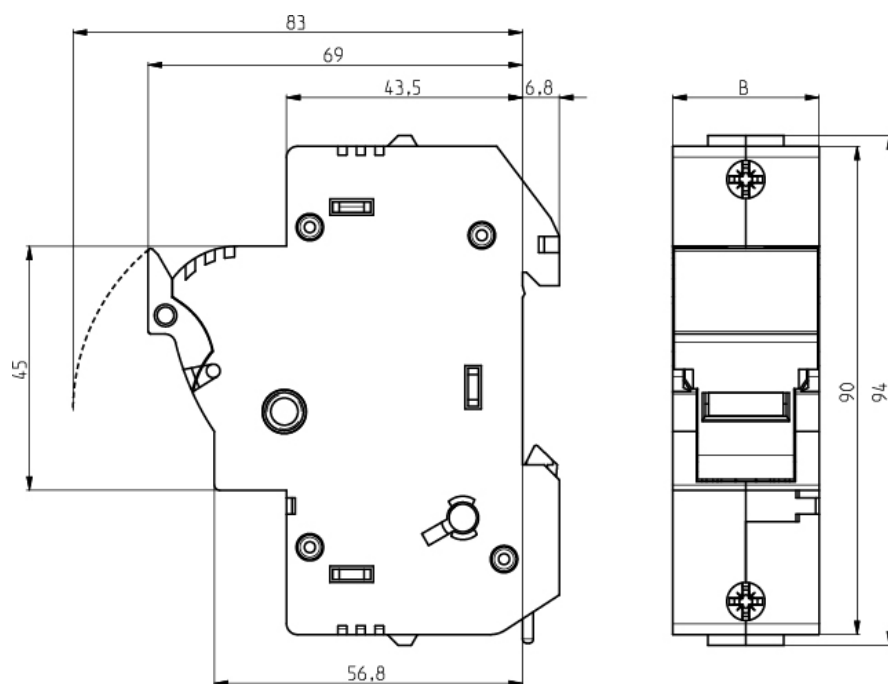




## ETIM clasificare internationala

Clasificare	EC002705
Denumire clasă	Holder for cylindrical fuse
Mounting method	Other
For fuse size	14x51 mm
Number of poles	2

## Desen cotat



	B
EFD 14 1p	27
EFD 14 1p+N	54
EFD 14 2p	54
EFD 14 3p	81
EFD 14 3p+N	108