

CRM-2H UNI



Specificatii

Cod ETI	002470003
Descriere	CRM-2H UNI
Denumire clasă	Releu de timp
Func ie	Releu de timp
Curent nominal (A)	16
Număr contacte CO	1
Tipul voltajului	AC/DC
Tensiunea de alimentare (V)	12 - 240
Numarul de contacte	1
Interval de timp	0.1 s-100 zile
Numarul de functii	2
Capacitatea maxima de incarcare AC1 (VA)	4000

Pagina de produse online [🔗](#)

Alta documentatie



Catalog caracteristici tehnice

Model 3D

Manual de instructiuni

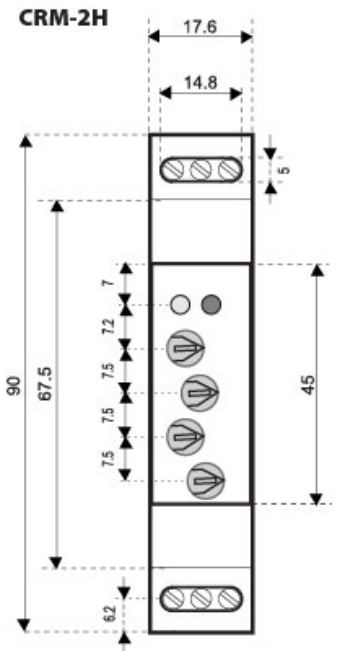
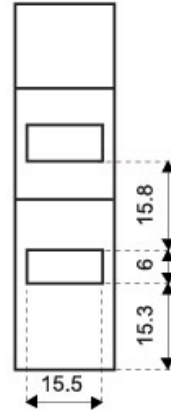
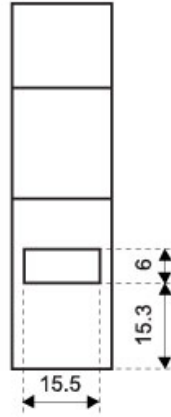
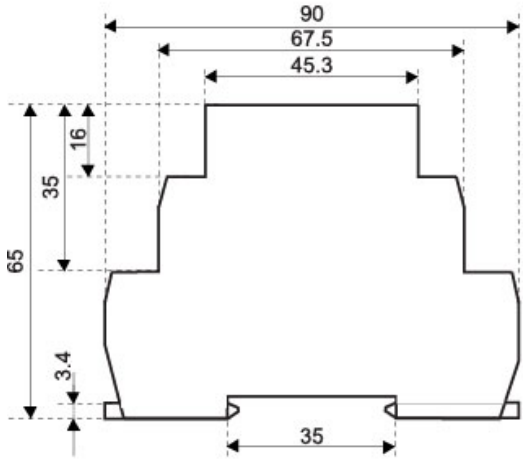
Declaratie CE

Eplan mușchi

ETIM clasificare internationala

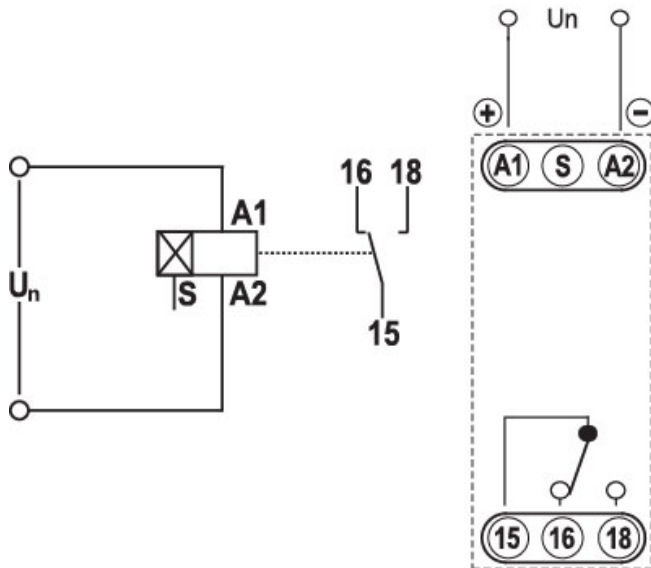
Clasificare	EC001669
Denumire clasă	Timer relay for distribution board
Type of excitation	Digital with single function
Function	On/off-switch wiping relay
1st interval unit	Minutes/hours
1st interval	0.02...2400
2nd interval unit	Minutes/hours
2nd interval	0.02...2400
Mounting method	DIN rail
Width in number of modular spacings	1
Built-in height	65mm
Number of changeover switches	1
Control voltage 1	12...12V
Type of control voltage 1	AC/DC
Frequency control voltage 1	50...50Hz
Control voltage 2	240...240V
Type of control voltage 2	AC
Frequency control voltage 2	50...60Hz
Voltage type (supply voltage)	AC/DC
Nominal switching current at 250 V AC	16A

Desen cotat

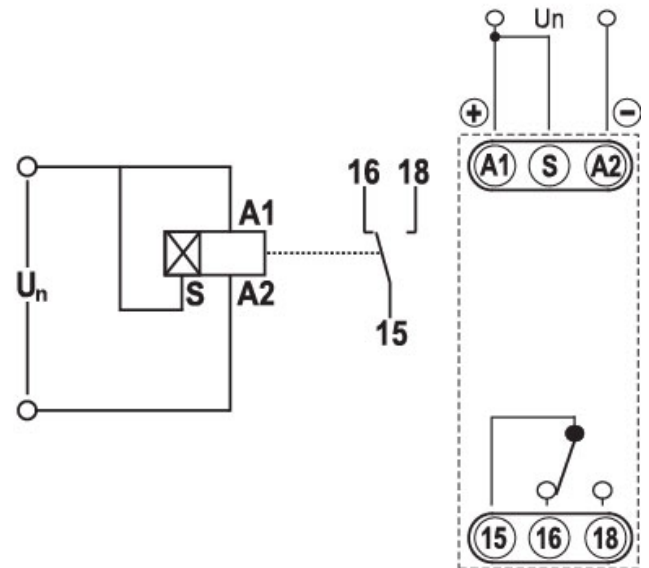


Simbol/Conexiune

Perioda začne z impulzom



Perioda začne s premorom



Descriere

