

ETITEC V 2T2 440/20 4+0 RC



Specificatii

Cod ETI	002442950
Descriere	ETITEC V 2T2 440/20 4+0 RC
Denumire clasă	Protec ie supratensiuni
Func ie	SPD
Tip	T2
Imax(8/20) [kA]	40
Semnalare la distan ă	NU
Sistem re ea	IT
Grup Catalog	ETITEC V
In (8/20)	20
Numarul de module	4
Parte superioara - Nivel de protectie a tensiunii (kV)	2,5
Curent de scurgere	DA
Tehnologie aplicata	MOV
Adancime incorporata (mm)	68
AC max continuous operating voltage Uc	440

Pagina de produse online

Alta documentatie



Catalog caracteristici tehnice

Model 3D

Manual de instructiuni

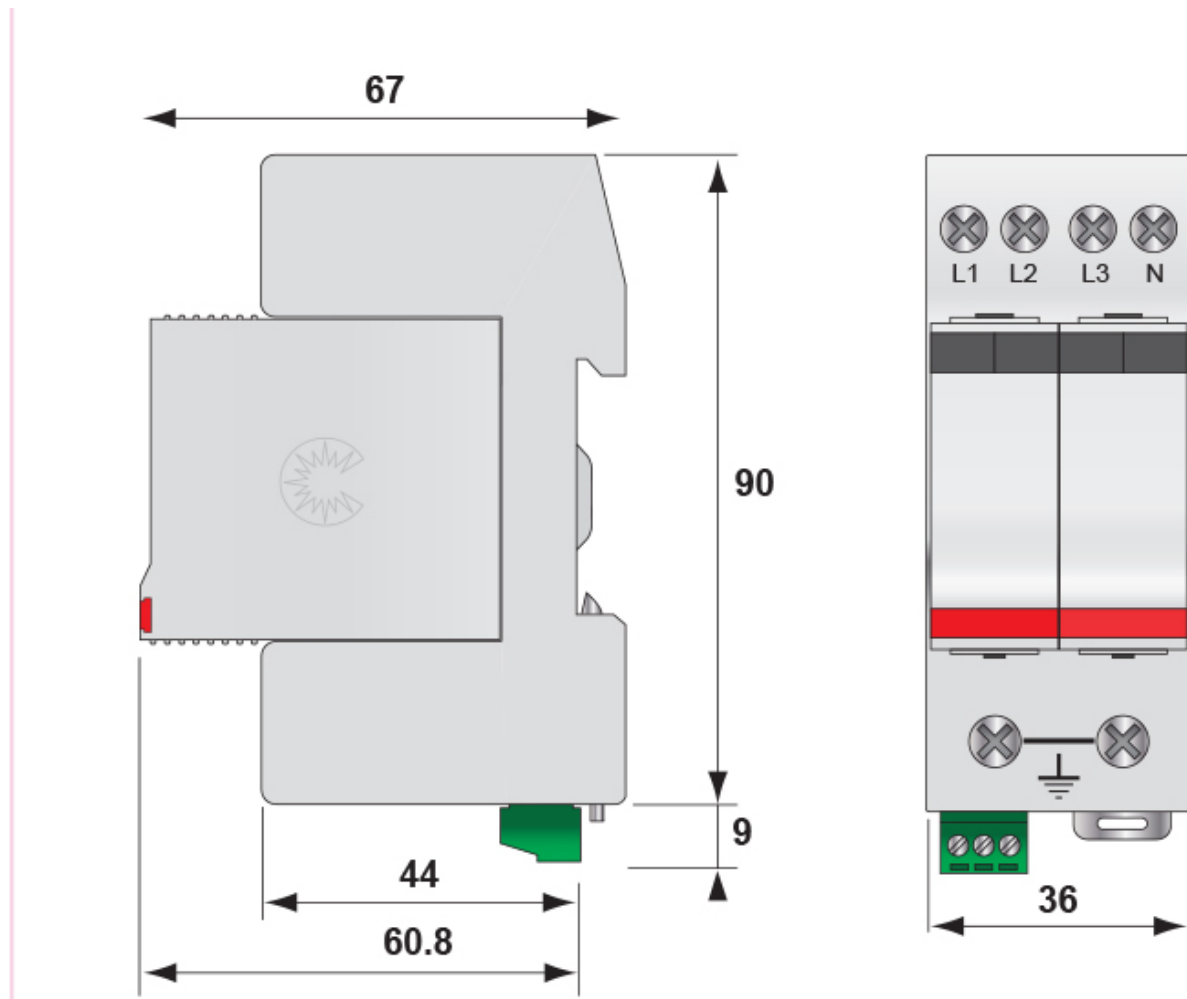
Declaratie CE

Eplan mușchi

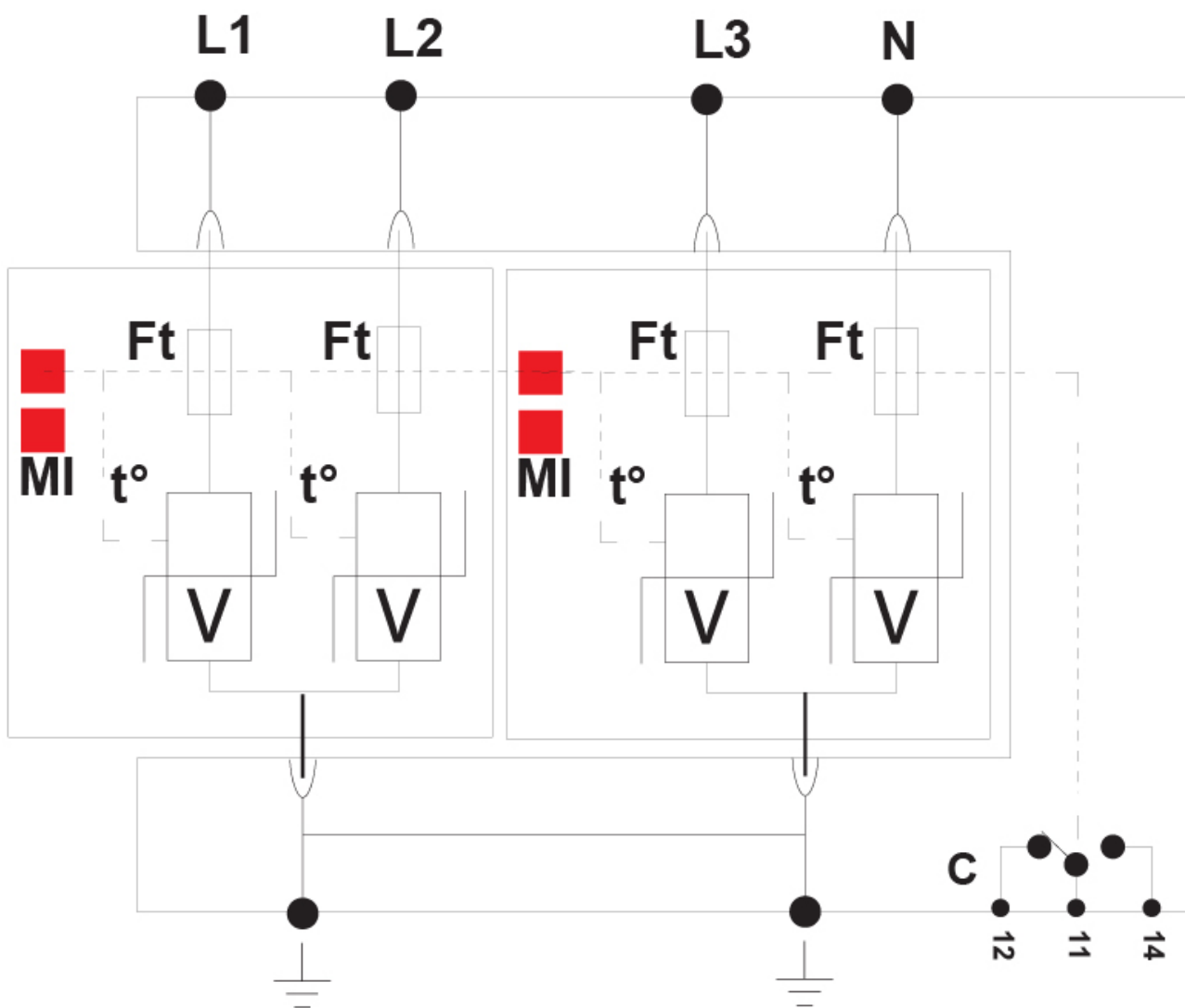
ETIM clasificare internationala

Clasificare	EC000941
Denumire clasă	Surge protection device for power supply systems
System configuration DC	
System configuration IT	
System configuration TN-C	
System configuration TN-S	1
System configuration TT	
System configuration other	
Nominal discharge surge current (8/20)	20kA
Nominal voltage AC	400V
Short-circuit breaking capacity (I _{sc})	10kA
Max. continuous voltage AC	440V
Max. discharge surge current (8/20)	40kA
Mounting method	DIN rail (top hat rail) 35 mm
Max. conductor cross section solid (solid, stranded)	35mm ²
Max. conductor cross section flexible (fine-strand)	25mm ²
With remote signalling contact	1
Integrated backup fuse	
Signalling at the device	Optical
Category type 2	1
Degree of protection (IP)	IP20

Desen cotat



Simbol/Conexiune



V : High energy varistor

GSG : Specific GDT

Ft : Thermal fuse

C : Remote signaling contact

t° : Thermal disconnection system

MI : Disconnection indicator

