

* MOD.ETITEC B T12 275/7



Specificatii

Cod ETI	002440363
Descriere	* MOD.ETITEC B T12 275/7
Denumire clasă	Protec ie supratensiuni
Func ie	Modul SPD
Tip	T1, T2
Utilizare cu	ETITEC B T12

[Pagina de produse online](#) 

Alta documentatie



[Catalog caracteristici tehnice](#)

[Model 3D](#)

[Manual de instructiuni](#)

[Declaratie CE](#)

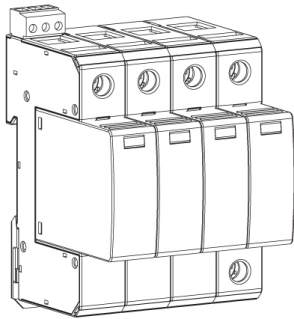
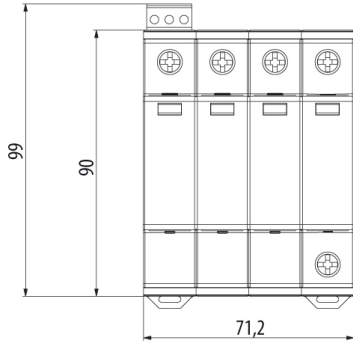
[Eplan mușchi](#)

ETIM clasificare internațională

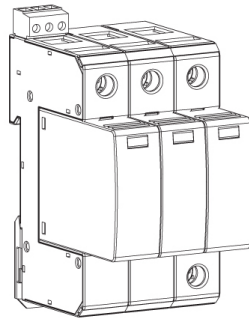
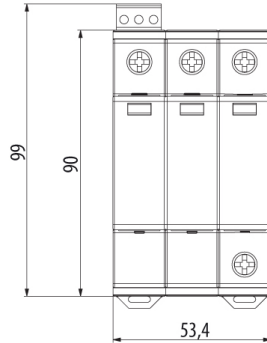
Clasificare	EC001457
Denumire clasă	Combined arrester for power supply systems
System configuration DC	
System configuration IT	
System configuration TN	1
System configuration TN-C	1
System configuration TN-S	1
System configuration TT	1
System configuration other	
Number of poles	1
Lightning impulse current (10/350 μs)	7
Max. continuous voltage AC	275
Nominal voltage AC	230
Mounting method	On basic element
Construction size	1 modular spacing
Signalling at the device	Optical
Test class	Type 1 + 2
Exhausting	
Integrated backup fuse	
Degree of protection (IP)	IP20

Desen cotat

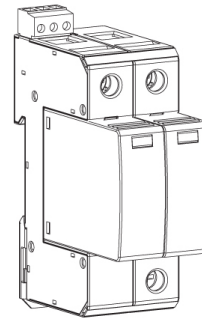
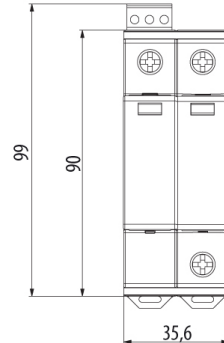
ETITEC B T12.275/7 4+0 RC



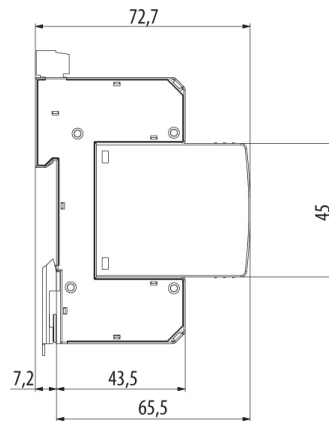
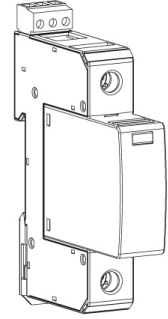
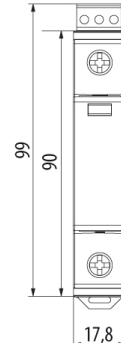
ETITEC B T12.275/7 3+0 RC



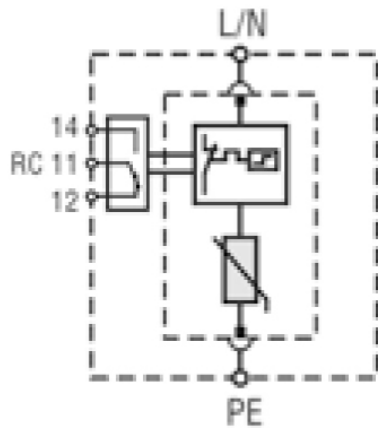
ETITEC B T12.275/7 2+0 RC



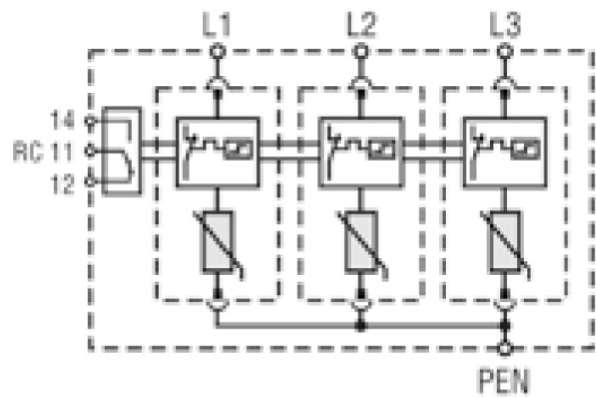
ETITEC B T12.275/7 1+0 RC



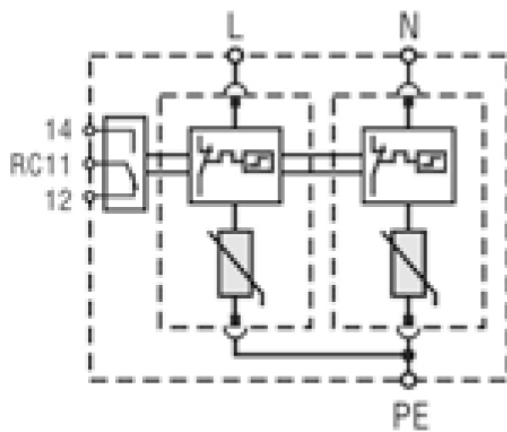
Simbol/Conexiune



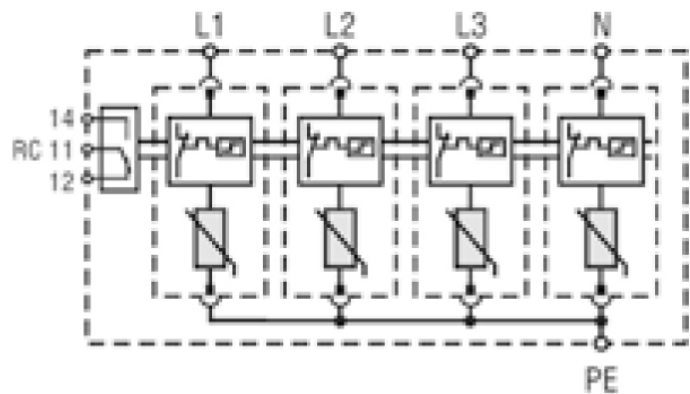
ETITEC B T12 275/7 1+0 RC



ETITEC B T12 275/7 3+0 RC



ETITEC B T12 275/7 2+0 RC



ETITEC B T12 275/7 4+0 RC