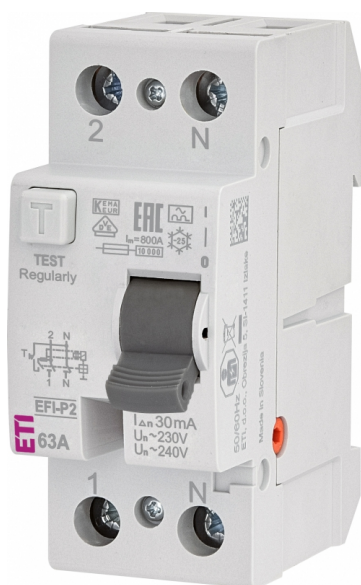


EFI-P2 A 63/0.03



Specificatii

Cod ETI	002061113
Descriere	EFI-P2 A 63/0.03
Denumire clasă	Diferențial RCCB
Curent nominal (A)	63
Tip	A
Curent de defect nominal (A)	0.03
Tip curent	A
Tensiunea nominală(V)	240
Tip montaj	TH 35
Adâncime (mm)	68
Număr de poli	1+N
Grad de protecție IP	IP20
Frecvență nominală (Hz)	50/60
Standarde	IEC/EN 61008
Secțiune transversală nominală	1-25
Timp de declansare	Undelayed
Curent nominal de scurtcircuit Inc (kA)	10

Pagina de produse online [🔗](#)

Alta documentatie



Catalog caracteristici tehnice

Certificate

Model 3D

Manual de instructiuni

Declaratie CE

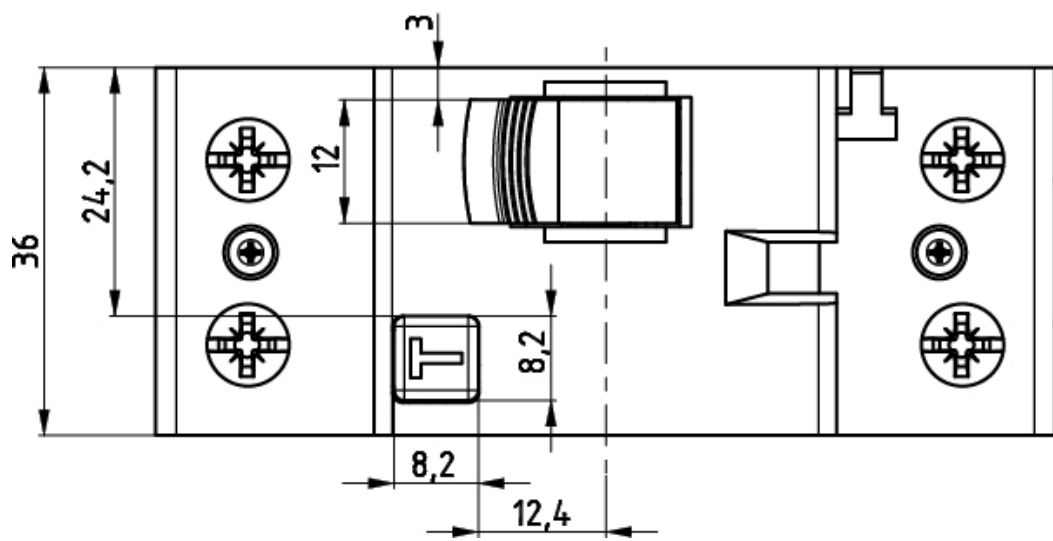
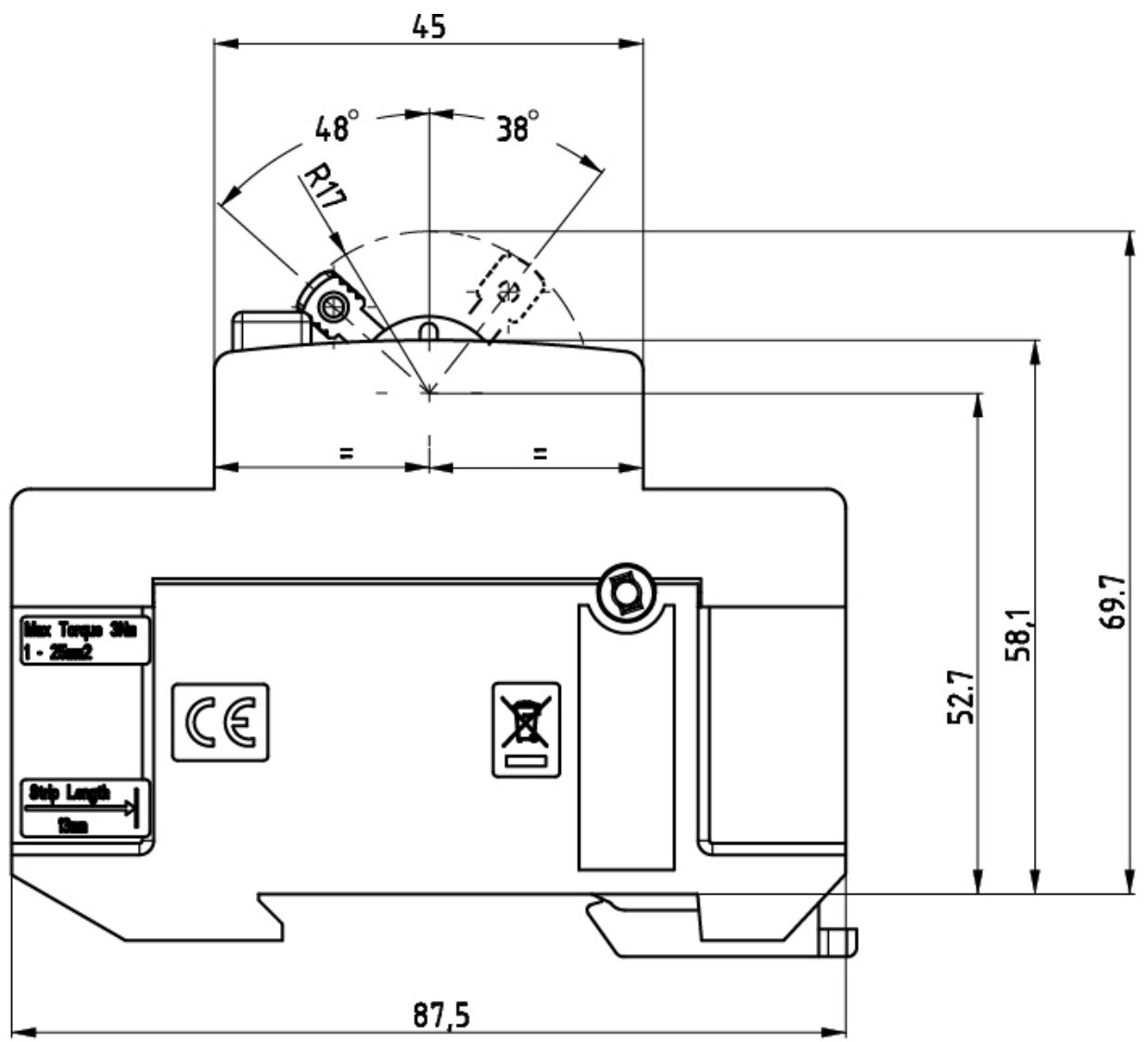
COM_ETISTORE_ITEM_DOCTYPE_whitePa
per

Eplan mușchi

ETIM clasificare internationala

Clasificare	EC000003
Denumire clasă	Residual current circuit breaker (RCCB)
Number of poles	2
Rated voltage	240V
Rated current	63A
Rated fault current	30mA
Rated insulation voltage U_i	500V
Rated impulse withstand voltage U_{imp}	4kV
Mounting method	DIN rail
Leakage current type	A
Selective protection	
Short-time delayed tripping	
Short-circuit breaking capacity (I_{cw})	10kA
Surge current capacity	0,4kA
Frequency	50/60 Hz
Additional equipment possible	1
Degree of protection (IP)	IP20
Width in number of modular spacings	2
Built-in depth	68mm
Ambient temperature during operating	-60...70°C
Pollution degree	2
Connectable conductor cross section multi-wired	1...25mm ²
Connectable conductor cross section solid-core	1...25mm ²

Desen cotat



Schema de conexiuni

