

## KVL-2 3p M10-M10 LED



### Specificatii

Cod ETI	001690883
Descriere	KVL-2 3p M10-M10 LED
Denumire clasă	Comutator cu siguranță
Curent nominal (A)	400
Tip	KVL
Mărime	NH2
Număr de poli	3
Grup de produse	Separator orizontal pentru siguranțe fuzibile
Tensiune nominală AC (V)	690
Categorie de utilizare	AC-23B / DC-22B
Conectare	M10
Tensiune nominală DC (V)	440
Montare	Screw-on
Indicator	LED

[Pagina de produse online](#) 

### Alta documentatie



[Catalog caracteristici tehnice](#)

[Certificate](#)

[Model 3D](#)

[Manual de instructiuni](#)

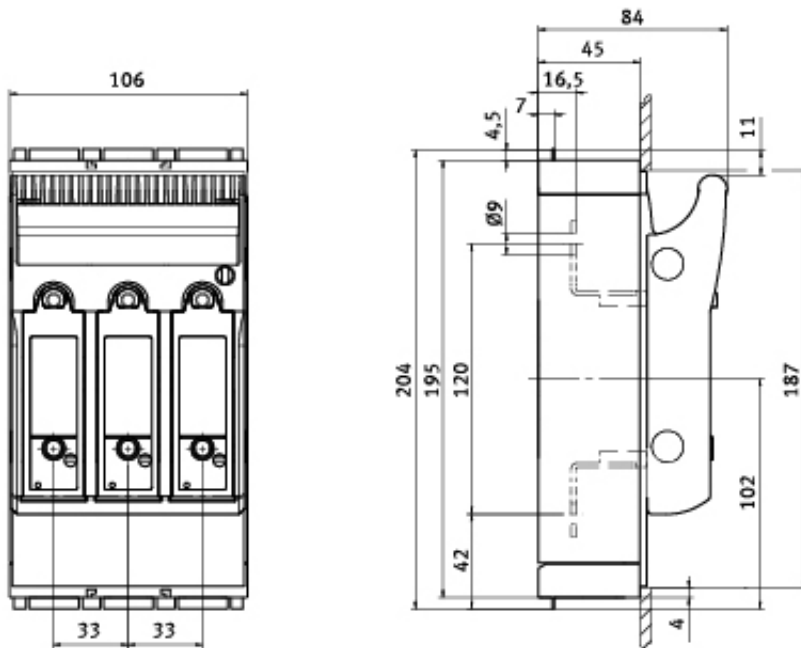
[Declaratie CE](#)

[Eplan mușchi](#)

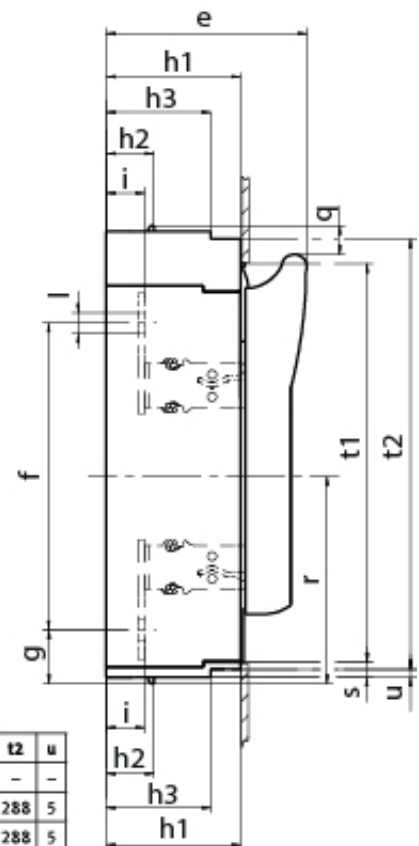
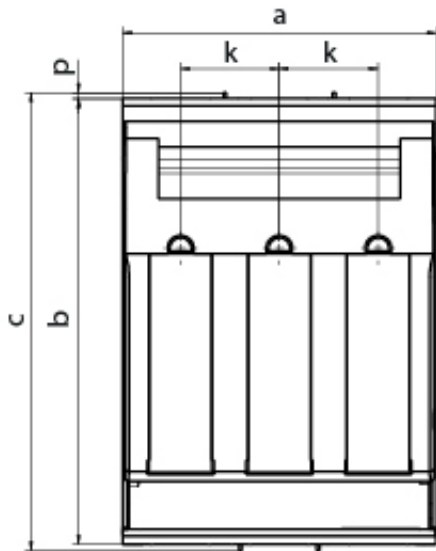
## ETIM clasificare internationala

Clasificare	EC001040
Denumire clasă	Fuse switch disconnector
Version as main switch	1
Version as safety switch	1
Max. rated operation voltage Ue AC	690V
Rated permanent current Iu	400A
Suitable for fuses	NH2
Number of poles	3
With error protection	
Type of electrical connection of main circuit	Screw connection
Suitable for floor mounting	1
Type of control element	Cover grip

# Desen cotat



KVL-00 3p M8-M8
KVL-00 3p BC95-BC95
KVL-00 3p M8-M8 LED
KVL-00 3p BC95-BC95 LED



	a	b	c	e	f	g	h1	h2	h3	i	k	l	p	q	r	s	t1	t2	u
KVL-1 3p M10-M10 (LED)	184	298	306	117	185	46	70	32	-	25	58	$\varnothing 10,5$	4	19	138	5	272	-	-
KVL-2 3p M10-M10 (LED)	210	298	306	134	205	36	90	32	70	26	66	$\varnothing 14$	4	19	138	10	268	288	5
KVL-3 3p M10-M10 (LED)	250	298	306	143	205	36	90	32	70	26	82	$\varnothing 14$	4	19	138	10	268	288	5