

## KVL-00 3p M8-M8 LED



### Specificatii

|                          |                                               |
|--------------------------|-----------------------------------------------|
| Cod ETI                  | 001690880                                     |
| Descriere                | KVL-00 3p M8-M8 LED                           |
| Denumire clasă           | Comutator cu siguranță                        |
| Curent nominal (A)       | 160                                           |
| Tip                      | KVL                                           |
| Mărime                   | NH00                                          |
| Număr de poli            | 3                                             |
| Grup de produse          | Separator orizontal pentru siguranțe fuzibile |
| Tensiune nominală AC (V) | 690                                           |
| Categorie de utilizare   | AC-23B / DC-22B                               |
| Conectare                | M8                                            |
| Tensiune nominală DC (V) | 440                                           |
| Montare                  | Screw-on                                      |
| Indicator                | LED                                           |

[Pagina de produse online](#)

### Alta documentatie



[Catalog caracteristici tehnice](#)

[Certificate](#)

[Model 3D](#)

[Manual de instructiuni](#)

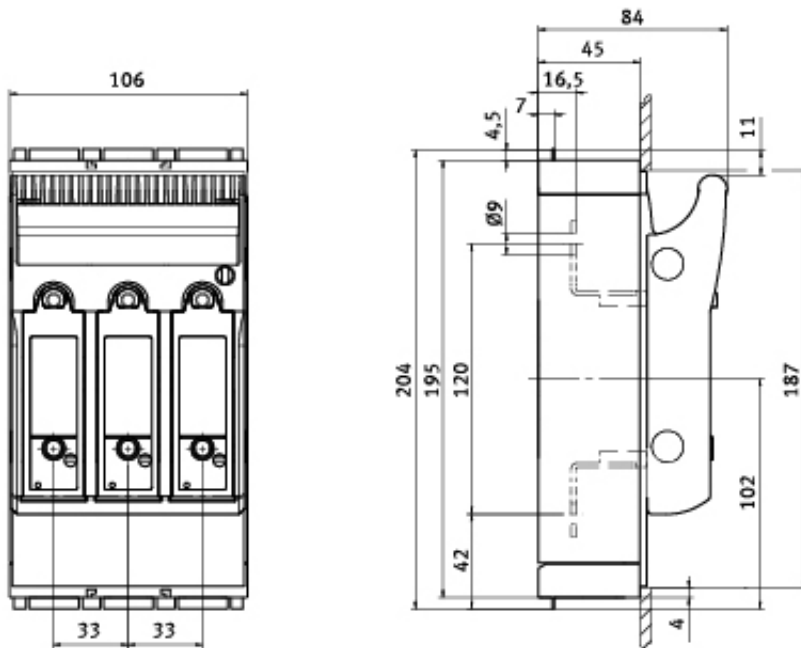
[Declaratie CE](#)

[Eplan mușchi](#)

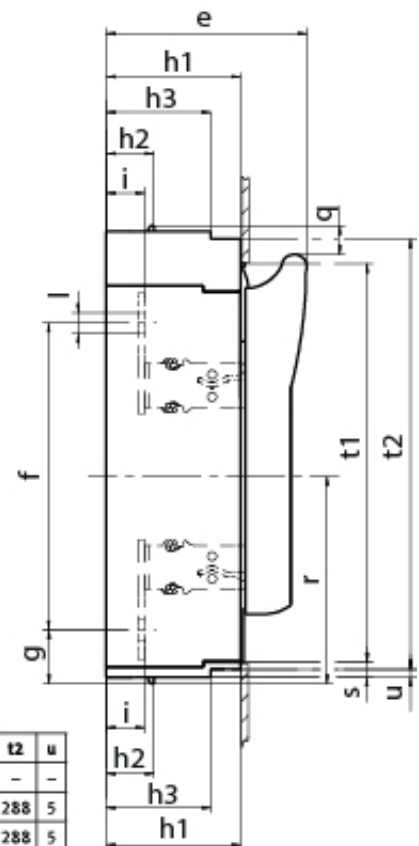
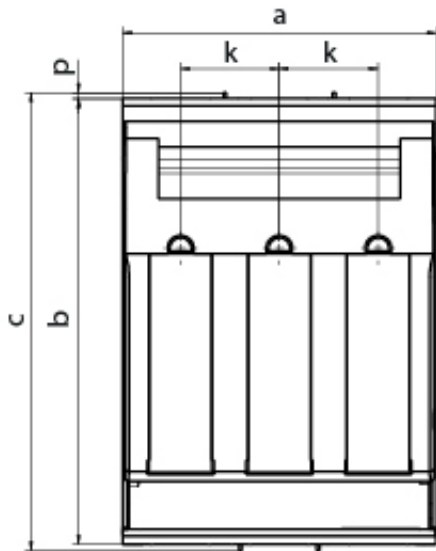
## ETIM clasificare internațională

|                                               |                          |
|-----------------------------------------------|--------------------------|
| Clasificare                                   | EC001040                 |
| Denumire clasă                                | Fuse switch disconnector |
| Version as main switch                        | 1                        |
| Version as safety switch                      | 1                        |
| Max. rated operation voltage Ue AC            | 690V                     |
| Rated permanent current Iu                    | 160A                     |
| Suitable for fuses                            | NH00                     |
| Number of poles                               | 3                        |
| With error protection                         |                          |
| Type of electrical connection of main circuit | Screw connection         |
| Suitable for floor mounting                   | 1                        |
| Type of control element                       | Cover grip               |

# Desen cotat



|                         |
|-------------------------|
| KVL-00 3p M8-M8         |
| KVL-00 3p BC95-BC95     |
| KVL-00 3p M8-M8 LED     |
| KVL-00 3p BC95-BC95 LED |



|                        | a   | b   | c   | e   | f   | g  | h1 | h2 | h3 | i  | k  | l     | p | q  | r   | s  | t1  | t2  | u |
|------------------------|-----|-----|-----|-----|-----|----|----|----|----|----|----|-------|---|----|-----|----|-----|-----|---|
| KVL-1 3p M10-M10 (LED) | 184 | 298 | 306 | 117 | 185 | 46 | 70 | 32 | -  | 25 | 58 | ∅10,5 | 4 | 19 | 138 | 5  | 272 | -   | - |
| KVL-2 3p M10-M10 (LED) | 210 | 298 | 306 | 134 | 205 | 36 | 90 | 32 | 70 | 26 | 66 | ∅14   | 4 | 19 | 138 | 10 | 268 | 288 | 5 |
| KVL-3 3p M10-M10 (LED) | 250 | 298 | 306 | 143 | 205 | 36 | 90 | 32 | 70 | 26 | 82 | ∅14   | 4 | 19 | 138 | 10 | 268 | 288 | 5 |